

REVISION HISTORY

DRAWING CREATED

DATE

02-07-05 JRC



INSULATOR COMPANY
 LEROY, N.Y. 14482
 (585) 768-6221
 SUBSTATION DIVISION

REF. 52-5



in. [mm]

BASE PART NUMBER

302718EZ (+K SERIES)

(SEE TABLE FOR VERSIONS)

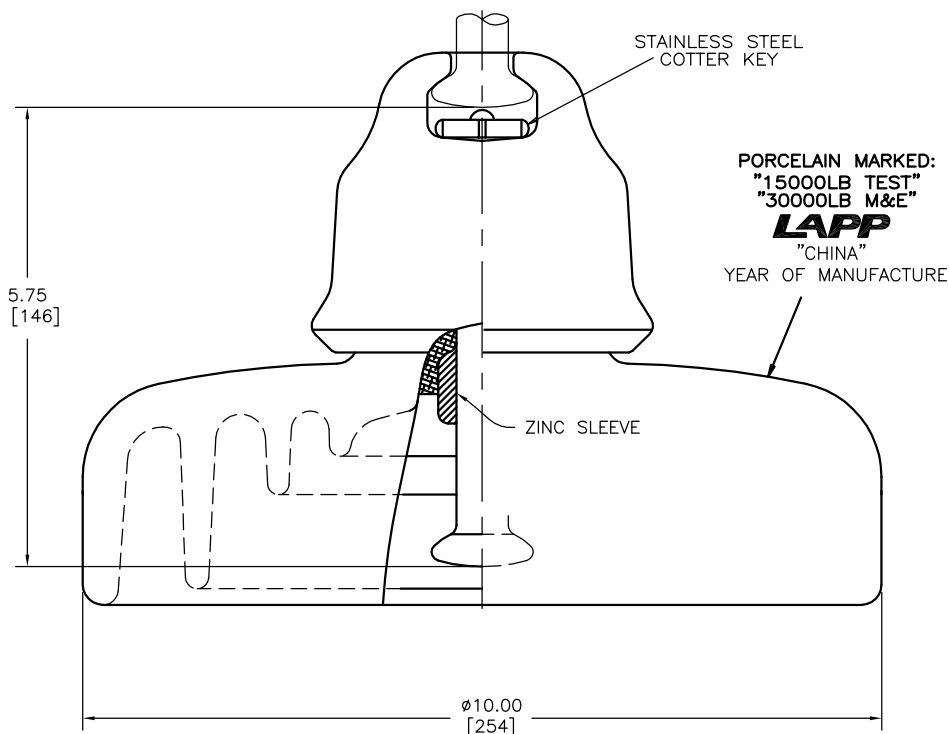
TITLE

FOG TYPE
 SUSPENSION INSULATOR

NOTES

1. DIMENSIONS ARE INCHES (MILLIMETERS)
2. ALL FERROUS PARTS ARE HOT DIP GALVANIZED PER ASTM-A153.
3. ANSI 52-5 COUPLING.
4. MEETS CHARACTERISTICS AND TOLERANCES OF ANSI C29.2.
5. FOG SUSPENSION INSULATORS ARE DESIGNED FOR USE IN AREAS WHERE NATURAL CLEANING IS INADEQUATE AND ARTIFICIAL CLEANING MUST BE RESORTED TO.

| ASSEMBLY No. | GLAZE COLOR |
|-------------------------|-----------------|
| WITH ZINC SLEEVE | |
| E-302718 AEZ+K | CHOCOLATE |
| E-302718 EZ-70+K | LT. GRAY No. 70 |



DIMENSIONS

LEAKAGE DISTANCE, in. [mm] 17.94 [456]

MECHANICAL VALUES

COMBINED M&E STRENGTH, lb. [kN] 30000 [133.45]
 MECHANICAL IMPACT STRENGTH, in-lb. [Nm] 100 [11.30]
 TENSION PROOF TEST LOAD, lb. [kN] 15000 [66.72]
 MAXIMUM WORKING LOAD, lb. [kN] 15000 [66.72]

ELECTRICAL VALUES

LOW FREQUENCY DRY FLASHOVER, kV 100
 LOW FREQUENCY WET FLASHOVER, kV 60
 CRITICAL IMPULSE FLASHOVER, POS., kV 150
 CRITICAL IMPULSE FLASHOVER, NEG., kV 160
 LOW FREQUENCY PUNCTURE VOLTAGE, kV 130

RADIO INFLUENCE VOLTAGE

TEST VOLTAGE, RMS TO GROUND, kV 10
 MAXIMUM RIV AT 1000 kHz, MICROVOLTS 50

NOTE TO PURCHASER
 ALL SALES OF LAPP PRODUCTS ARE
 SUBJECT TO OUR STANDARD TERMS
 AND CONDITIONS AND THE LIMITED
 WARRANTIES THEREUNDER.