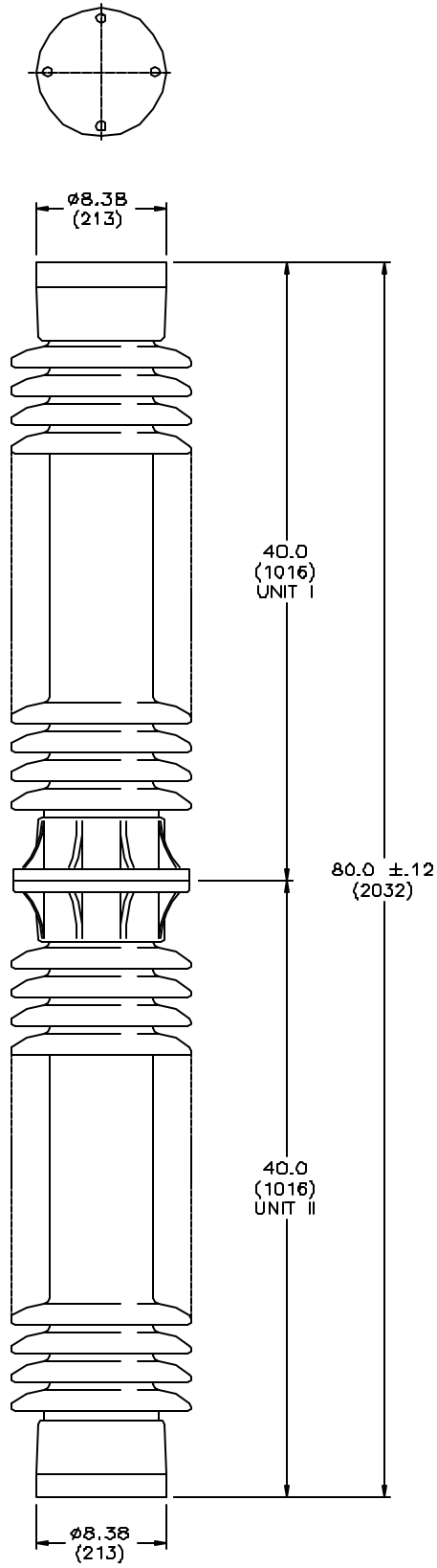


REVISION	DATE	<b>LAPP</b> INSULATOR COMPANY LEROY, N.Y. 14466	No.	SDJ-314161 & -70	
REMOVED J-77267 RAINSHIELD	12-10-93			TITLE	STATION POST STACK
MAX. RIV WAS 200 MICROVOLTS	3-11-96	UNITS	in. (mm)	ORG. DATE	9-8-92
COMPRESSION WAS 100000 (444.8)	4-6-98 DMC	DWN.	J. Bonomo	APP.	Rishera
REF. J-51202					



**DIMENSIONS**  
LEAKAGE DISTANCE, in. (mm) 164 (4166)

**MECHANICAL VALUES**  
CANTILEVER STRENGTH, lb. (kN) 2750 (12.2)  
TENSION STRENGTH, lb. (kN) 40000 (177.9)  
TORSION STRENGTH, in.-lb. (kNm) 120000 (13.5)  
COMPRESSION STRENGTH, lb. (kN) 120000 (533.8)

**ELECTRICAL VALUES**  
CRITICAL IMPULSE FLASHOVER, POS., KV. 1010  
LOW FREQUENCY WET WITHSTAND, KV. 385  
IMPULSE WITHSTAND, KV. 900

**RADIO INFLUENCE VOLTAGE**  
TEST VOLTAGE, RMS TO GROUND, KV. 146  
MAXIMUM RIV - MICROVOLTS AT 1000 kHz 500

NOTE:  
ALL FERROUS PARTS ARE HOT DIP GALV. PER ASTM A153

ASSEMBLY	GLAZE COLOR
J-314161	CHOCOLATE
J-314161-70	LIGHT GRAY No.70

ASSEMBLY	UNIT I	UNIT II
J-314161	J-314162	J-314163
J-314161-70	J-314162-A	J-314163-A
UNIT PETTICOAT DIAMETER	Ø10.75 (273)	Ø10.75 (273)
TOP	UNIT HOLE PATTERN	4 HOLES TAPPED Ø.56 (14)
	BOLT CIRCLE	7.0 (178)
BOTTOM	UNIT HOLE PATTERN	4 HOLES TAPPED 3/4-10+.015
	BOLT CIRCLE	10.38 (264)
CAPSCREW PKG	BOLTS, NUTS & L.W. SIZE	1/2-13
	BOLT LENGTH	2.50 (64)
	NO. SUPPLIED	(1) J97535E

NOTE TO PURCHASER  
ALL SALES OF LAPP PRODUCTS ARE SUBJECT TO OUR STANDARD TERMS AND CONDITIONS AND THE LIMITED WARRANTIES THEREUNDER.