

REVISION

DATE



LAPP INSULATOR Co.  
LEROY, N.Y. 14482



No. SDJ-314732 & -70

TITLE  
THREE UNIT  
STATION PDST STACK

DATE 5-5-94

SCALE 1/10

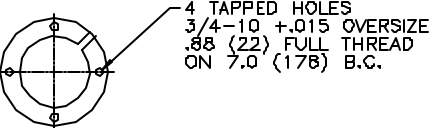
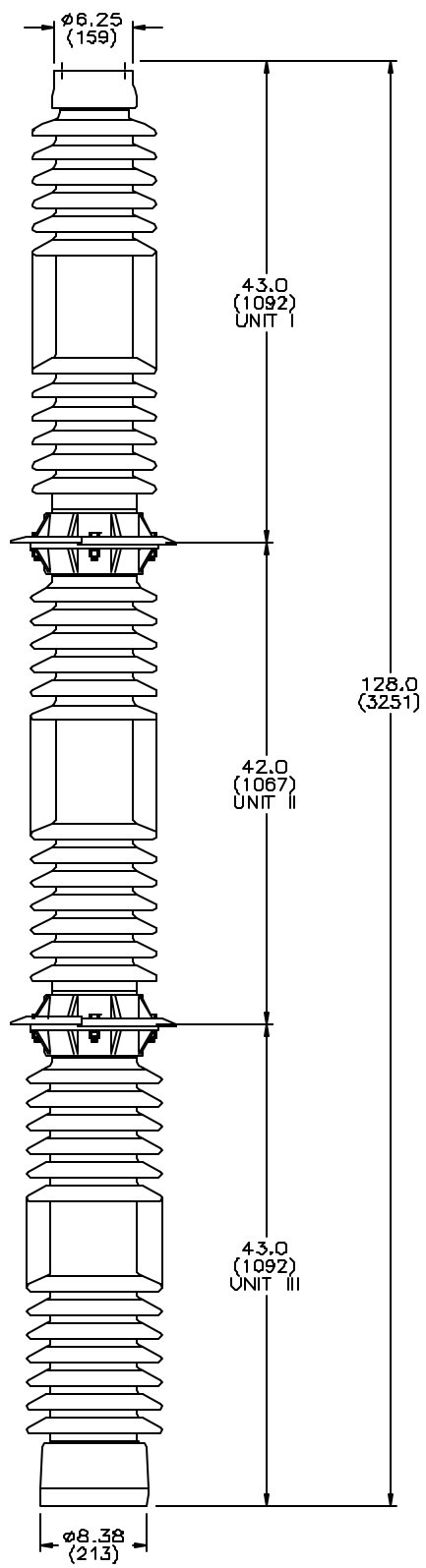
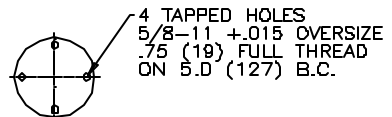
DWN. J. Barone

CHK.

APP.

BK.No. 84M

REF. 98151



LEAKAGE DISTANCE  
LEAKAGE DISTANCE, in. (mm) 320 (8128)

MECHANICAL VALUES  
CANTILEVER STRENGTH, lb. (kN) 1000 (4.45)  
TENSION STRENGTH, lb. (kN) 20000 (88.96)  
TORSION STRENGTH, in-lb. (kNm) 60000 (6.77)  
COMPRESSION STRENGTH, lb. (kN) 60000 (266.88)

ELECTRICAL VALUES  
CRITICAL IMPULSE FLASHOVER, POS., kV. 1710  
LOW FREQUENCY WET WITHSTAND, kV. 620  
IMPULSE WITHSTAND, kV. 1550

RADIO INFLUENCE VOLTAGE  
TEST VOLTAGE, RMS TO GROUND, kV. 318  
MAXIMUM RV - MICROVOLTS AT 1000 kHz 2000

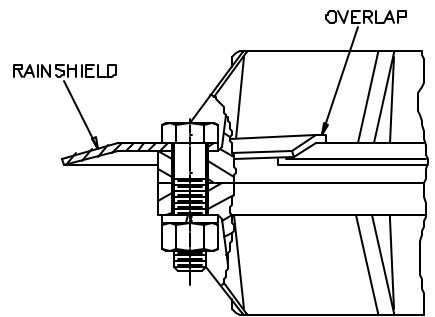
NOTES:

1. DIMENSIONS ARE IN INCHES (MILLIMETERS)
2. ALL FERROUS PARTS ARE HOT DIP GALV. PER ASTM A153

ASSEMBLY	GLAZE COLOR
J-314732	CHOCOLATE
J-314732-70	LIGHT GRAY No.70

	UNIT I	UNIT II	UNIT III
ASSY. No	J-314732	J-314733	J-314734
	J-314732-70	J-314733-A	J-314734-A
	J-314735	J-314735-A	
UNIT CHARACTERISTICS			
PETTINGOAT DIAMETER	ø10.12 (257)	ø10.25 (260)	ø11.06 (281)
NUMBER & SIZE OF TOP HOLES	4 TAPPED HOLES 5/8-11+.015	4 HOLES ø.56 (14)	4 HOLES ø.56 (14)
BOLT CIRCLE	5.0 (127)	9.0 (229)	9.0 (229)
NUMBER & SIZE OF BOTTOM HOLES	4 HOLES ø.56 (14)	4 HOLES ø.56 (14)	4 TAPPED HOLES 3/4-10+.015
BOLT CIRCLE	9.0 (229)	9.0 (229)	7.0 (178)
CAPSCREW PKG			
BOLTS, NUTS & L.W. SIZE	---	1/2-13	1/2-13
BOLT LENGTH	---	2.0 (51)	2.0 (51)
No. OF PACKAGES SUPPLIED	---	(1) J97535-A	(1) J97535-A

SUPPLIED WITH:  
(2) J-91659 RAINSHIELD ø13.0 (330)



INSTALLATION OF SPLIT RAINSHIELD

NOTE TO PURCHASER  
ALL SALES OF LAPP PRODUCTS ARE SUBJECT TO OUR STANDARD TERMS AND CONDITIONS AND THE LIMITED WARRANTIES THEREUNDER.