

REVISION

DATE

LAPP
INSULATOR COMPANY
LEROY, N.Y. 14466



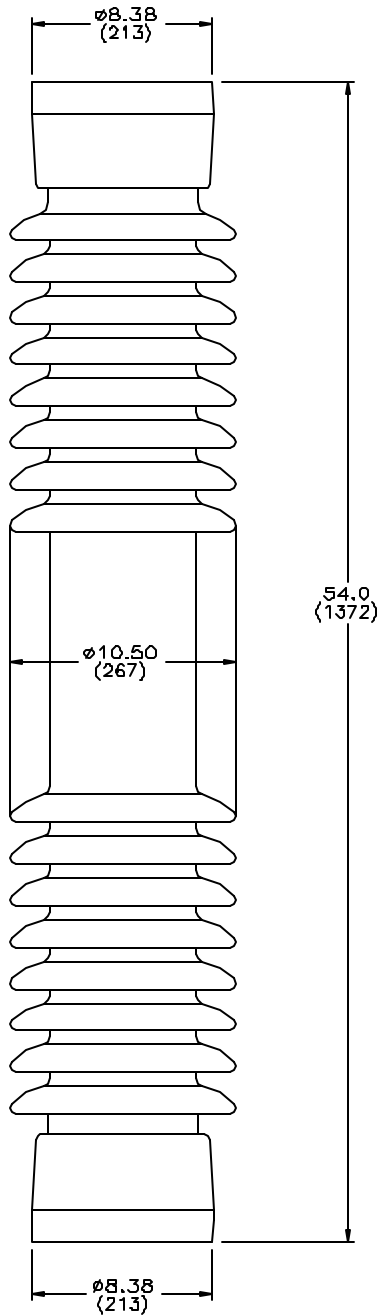
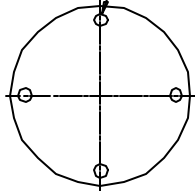
No. SDJ-314857 & -70

TITLE STATION POST ASSEMBLY

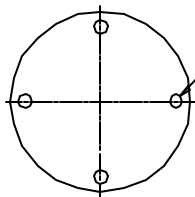
UNITS in. (mm) ORG. DATE 7-18-94 DWN. J. Bonomo APP. Smith

REF. J-56241

4 TAPPED HOLES
3/4-10 +.015 OVERSIZE
.88 (22) FULL THREAD
ON 7.0 (178) B.C.



4 TAPPED HOLES
3/4-10 +.015 OVERSIZE
.88 (22) FULL THREAD
ON 7.0 (178) B.C.



DIMENSIONS

LEAKAGE DISTANCE, in. (mm) 116 (2948)

MECHANICAL VALUES

CANTILEVER STRENGTH, lb. (kN) 4100 (18.2)
TENSION STRENGTH, lb. (kN) 40000 (177.9)
TORSION STRENGTH, in-lb. (kNm) 120000 (13.55)
COMPRESSION STRENGTH, lb. (kN) 120000 (533.8)

ELECTRICAL VALUES

CRITICAL IMPULSE FLASHOVER, POS., kV. 710
LOW FREQUENCY WET WITHSTAND, kV. 275
IMPULSE WITHSTAND, kV. 650

RADIO INFLUENCE VOLTAGE

TEST VOLTAGE, RMS TO GROUND, kV. 88
MAXIMUM RIV - MICROVOLTS AT 1000 kHz 200

NOTES:

1. DIMENSIONS ARE IN INCHES (MILLIMETERS)
2. ALL FERROUS PARTS ARE HOT DIP GALV. PER ASTM A153

ASSEMBLY	GLAZE COLOR
J-314857	CHOCOLATE
J-314857-70	LIGHT GRAY No.70

NOTE TO PURCHASER
ALL SALES OF LAPP PRODUCTS ARE
SUBJECT TO OUR STANDARD TERMS
AND CONDITIONS AND THE LIMITED
WARRANTIES THEREUNDER.