
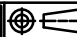
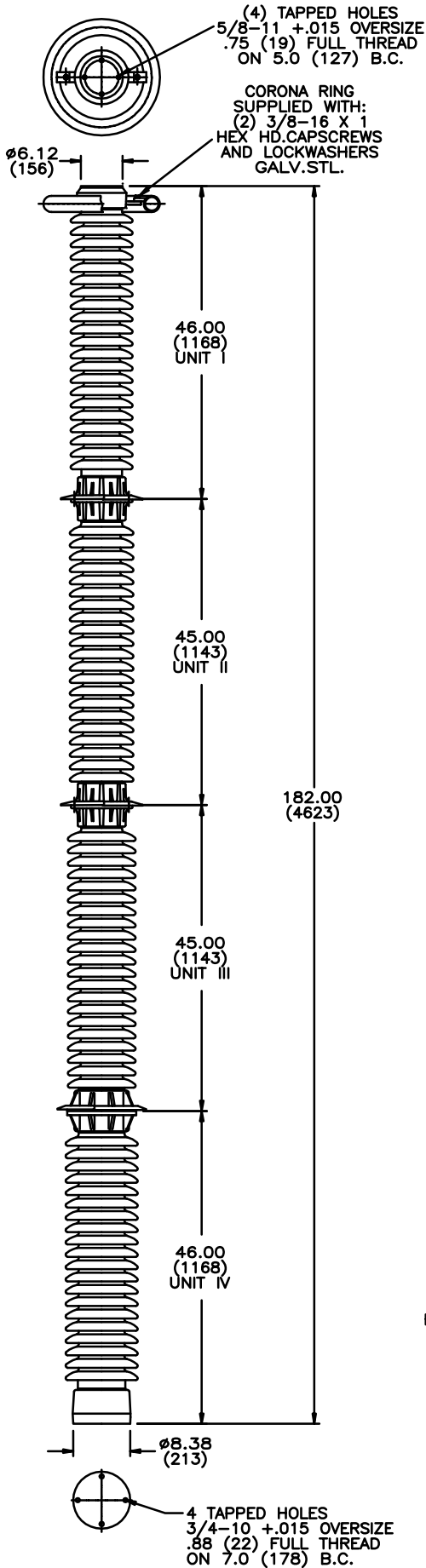


| | |
|------------------------|--------------|
| REVISION | DATE |
| REVISED & REDRAWN | 1-25-96 |
| REMOVED REFERENCE TEXT | 04-03-09 JRC |

| | | | | |
|--|---|---|-------------------|----------------------|
|  INSULATORS LLC LEROY, N.Y. 14482 |  No. SDJ-314867 & -70 | TITLE FOUR UNIT STATION POST STACK | | |
| | | UNITS in. (mm) | ORG. DATE 7-28-94 | DWN. <i>F. Doyle</i> |
| REF. | | | | |



DIMENSIONS

| | |
|----------------------------|-------------|
| LEAKAGE DISTANCE, in. (mm) | 432 (10973) |
|----------------------------|-------------|

MECHANICAL VALUES

| | |
|--------------------------------|---------------|
| CANTILEVER STRENGTH, lb. (kN) | 1200 (5.3) |
| TENSION STRENGTH, lb. (kN) | 20000 (89.0) |
| TORSION STRENGTH, in-lb. (kNm) | 60000 (6.77) |
| COMPRESSION STRENGTH, lb. (kN) | 60000 (266.9) |

ELECTRICAL VALUES

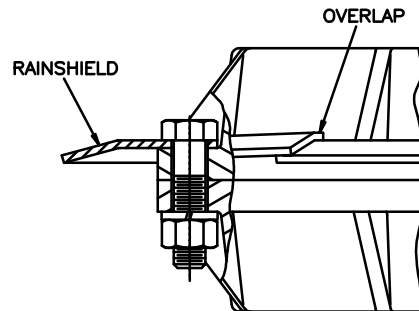
| | |
|---------------------------------------|------|
| CRITICAL IMPULSE FLASHOVER, POS., kv. | 2370 |
| LOW FREQUENCY WET WITHSTAND, kv. | 830 |
| IMPULSE WITHSTAND, kv. | 2050 |

NOTE:
ALL FERROUS PARTS ARE HOT DIP GALV. PER ASTM A153

| ASSEMBLY | GLAZE COLOR |
|-------------|------------------|
| J-314867 | CHOCOLATE |
| J-314867-70 | LIGHT GRAY No.70 |

| | UNIT I | UNIT II | UNIT III | UNIT IV | |
|----------------------|-------------------------------|----------------------------|-------------------|-------------------|----------------------------|
| ASSY. NO | J-314867 | J-318250 | J-318252 | J-318254 | J-318256 |
| | J-314867-70 | J-318250A | J-318252A | J-318254A | J-318256A |
| UNIT CHARACTERISTICS | PETTICOAT DIAMETER | Ø9.12 (232) | Ø9.38 (238) | Ø10.0 (254) | Ø10.62 (270) |
| | NUMBER & SIZE OF TOP HOLES | 4 TAPPED HOLES 5/8-11+.015 | 4 HOLES Ø.56 (14) | 4 HOLES Ø.56 (14) | 4 HOLES Ø.56 (14) |
| | BOLT CIRCLE | 5.0 (127) | 8.0 (203) | 8.0 (203) | 9.0 (229) |
| | NUMBER & SIZE OF BOTTOM HOLES | 4 HOLES Ø.56 (14) | 4 HOLES Ø.56 (14) | 4 HOLES Ø.56 (14) | 4 TAPPED HOLES 3/4-10+.015 |
| | BOLT CIRCLE | 8.0 (203) | 8.0 (203) | 9.0 (229) | 7.0 (178) |
| CAPSCREW PKG | BOLTS, NUTS & L.W. SIZE | --- | 1/2-13 | 1/2-13 | 1/2-13 |
| | BOLT LENGTH | --- | 2.0 (51) | 2.0 (51) | 2.25 (57) |
| | No. OF PACKAGES SUPPLIED | --- | (1) J97535A | (1) J97535A | (1) J97535G |

- SUPPLIED WITH:
- (1) J-91659 RAINSHIELD Ø13.0 (330)
 - (2) J-309714 RAINSHIELD Ø12.0 (305)
 - (1) J-95690 CORONA RING Ø17.12 (435)



INSTALLATION OF SPLIT RAINSHIELD

NOTE TO PURCHASER
ALL SALES OF LAPP PRODUCTS ARE
SUBJECT TO OUR STANDARD TERMS
AND CONDITIONS AND THE LIMITED
WARRANTIES THEREUNDER.