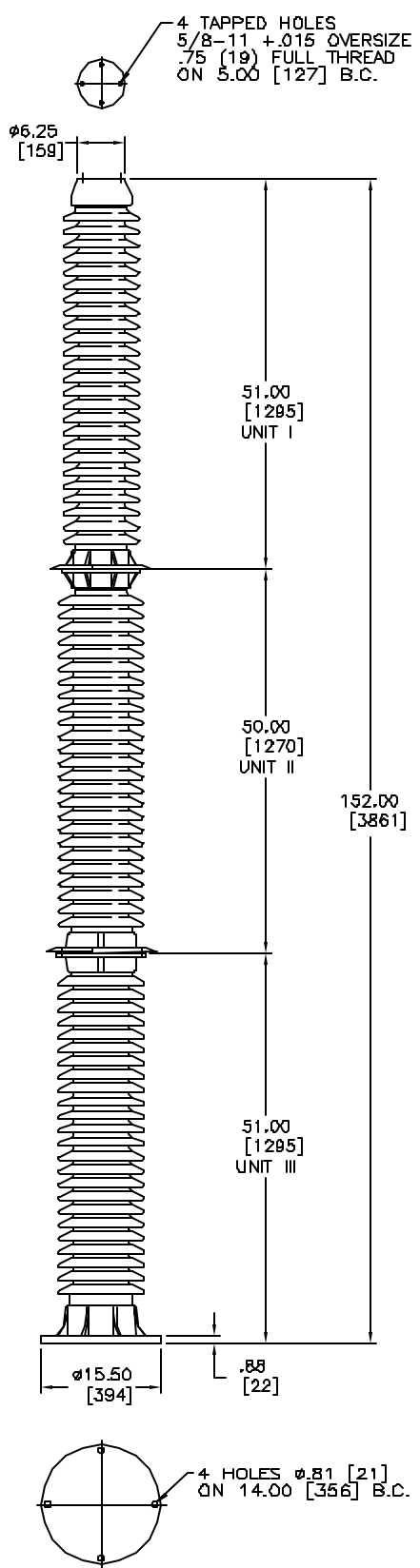


REVISION HISTORY	DATE
DRAWING / DESIGN CREATED	09-07-04
CORRECTED UNIT TABLE COLUMN HEADINGS	4-15-99 JRC
REVISED UNIT III	05-16-01 KC

**LAPP**  
**INSULATOR COMPANY**  
 LEROY, N.Y. 14482  
 (716) 708-0221  
 SUB-STATION DIVISION  
 REF. 97112

BASE PART NUMBER  
**314914 (SERIES)**  
 (SEE TABLE FOR VERSIONS)  
 TITLE  
**THREE UNIT  
 STATION POST STACK**



**DIMENSIONS**  
 LEAKAGE DISTANCE, In. (mm) 360 (9144)

**MECHANICAL VALUES**  
 CANTILEVER STRENGTH, lb. (kN) 1750 (7.8)  
 TENSION STRENGTH, lb. (kN) 20000 (89.0)  
 TORSION STRENGTH, in-lb. (kNm) 60000 (6.77)  
 COMPRESSION STRENGTH, lb. (kN) 60000 (266.9)

**ELECTRICAL VALUES**  
 CRITICAL IMPULSE FLASHOVER, POS., kV. 2000  
 LOW FREQUENCY WET WITHSTAND, kV. 710  
 IMPULSE WITHSTAND, kV. 1800

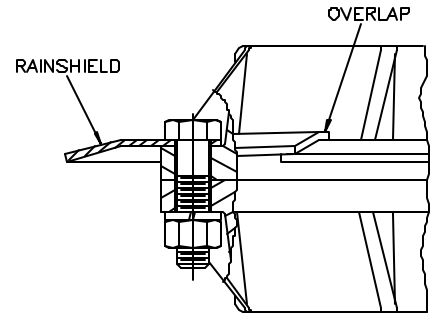
**RADIO INFLUENCE VOLTAGE**  
 TEST VOLTAGE, RMS TO GROUND, kV. 318  
 MAXIMUM RIV - MICROVOLTS AT 1000 kHz 2000

- NOTES:**
1. DIMENSIONS ARE IN INCHES (MILLIMETERS)
  2. ALL FERROUS PARTS ARE HOT DIP GALV. PER ASTM A153

ASSEMBLY	GLAZE COLOR
J-314914	CHOCOLATE
J-314914-70	LIGHT GRAY No.70

	UNIT I	UNIT II	UNIT III
ASSY. No.	J-314914	J-314719	J-314915
	J-314914-70	J-314719A	J-314915A
UNIT CHARACTERISTICS	PETTICOAT DIAMETER	φ9.88 (251)	φ11.0 (279)
	NUMBER & SIZE OF TOP HOLES	4 TAPPED HOLES 5/8-11+.015	4 HOLES φ.56 (14)
	BOLT CIRCLE	5.00 (127)	9.00 (229)
	NUMBER & SIZE OF BOTTOM HOLES	4 HOLES φ.56 (14)	4 HOLES φ.56 (14)
CAPSCREW PKG	BOLTS, NUTS & L.W. SIZE	—	1/2-13
	BOLT LENGTH	—	2.00 (51)
No. OF PACKAGES SUPPLIED	—	(1) J-097535A	(1) J-097535A

- SUPPLIED WITH:**
- (1) J-091859 RAINSHIELD φ13.00 (330)
  - (1) J-077267 RAINSHIELD φ14.00 (356)



INSTALLATION OF SPLIT RAINSHIELD

NOTE TO PURCHASER  
 ALL SALES OF LAPP PRODUCTS ARE  
 SUBJECT TO OUR STANDARD TERMS  
 AND CONDITIONS AND THE LIMITED  
 WARRANTIES THEREUNDER.