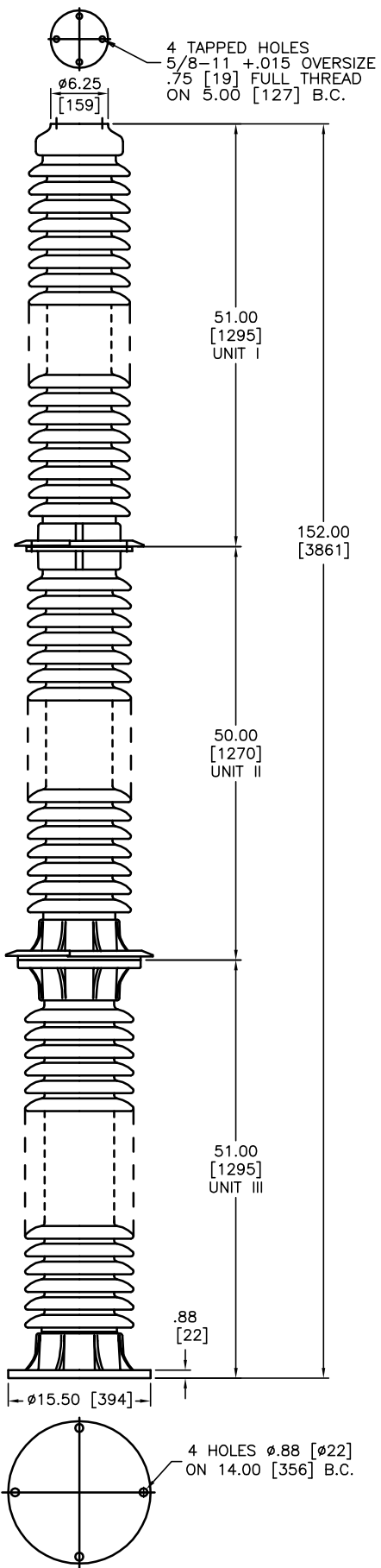


REVISION HISTORY	DATE
BOTTOM B.C. WAS 12.00 (305), ϕ .88 WAS ϕ .69	05-25-01 KC
UPDATED PORCELAIN O.D. OF UNIT III	07-16-03 JRC
REDUCE PORCELAIN O.D. OF UNIT III	04-06-06 JRC
UPDATE PORCELAIN O.D. OF UNIT III	03-16-09 JRC

LAPP
INSULATORS, LLC.
 LEROY, N.Y. 14482
 (585) 768-6221
 SUBSTATION DIVISION

BASE PART NUMBER
314934 (SERIES)
 (SEE TABLE FOR VERSIONS)
 TITLE
THREE UNIT STATION POST STACK

REF. J-093350



DIMENSIONS

LEAKAGE DISTANCE, in. (mm)	360 (9144)
----------------------------	------------

MECHANICAL VALUES

CANTILEVER STRENGTH, lb. (kN)	2500 (11.1)
TENSION STRENGTH, lb. (kN)	25000 (111.2)
TORSION STRENGTH, in-lb. (kNm)	90000 (10.16)
COMPRESSION STRENGTH, lb. (kN)	90000 (400.3)

ELECTRICAL VALUES

CRITICAL IMPULSE FLASHOVER, POS., kv.	2000
LOW FREQUENCY WET WITHSTAND, kv.	710
IMPULSE WITHSTAND, kv.	1800

RADIO INFLUENCE VOLTAGE

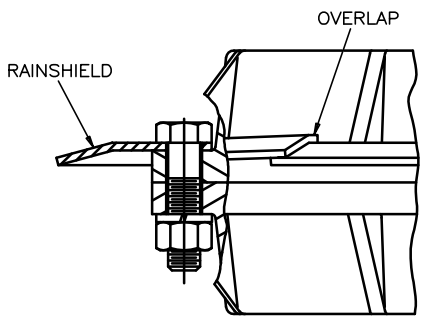
TEST VOLTAGE, RMS TO GROUND, kv.	318
MAXIMUM RIV - MICROVOLTS AT 1000 kHz	2000

- NOTES:
1. DIMENSIONS ARE IN INCHES (MILLIMETERS)
 2. ALL FERROUS PARTS ARE HOT DIP GALV. PER ASTM A153

ASSEMBLY	GLAZE COLOR
J-314934	CHOCOLATE
J-314934-70	LIGHT GRAY No.70

	UNIT I	UNIT II	UNIT III
ASSY. NO	J-314934	J-314935	J-314936
	J-314934-70	J-314935A	J-314936A
	J-314937	J-314938	J-314939
	J-314937A	J-314938A	J-314939A
UNIT CHARACTERISTICS	PETTICOAT DIAMETER	$\phi 11.00 (279)$	$\phi 11.25 (286)$
	NUMBER & SIZE OF TOP HOLES	4 TAPPED HOLES $5/8-11+.015$	4 HOLES $\phi .56 (14)$
	BOLT CIRCLE	5.00 (127)	10.38 (264)
UNIT CHARACTERISTICS	NUMBER & SIZE OF BOTTOM HOLES	4 HOLES $\phi .56 (14)$	4 HOLES $\phi .69 (17)$
	BOLT CIRCLE	10.38 (264)	12.00 (305)
			14.00 (356)
CAPSCREW PKG	BOLTS, NUTS & L.W. SIZE	---	1/2-13
	BOLT LENGTH	---	2.00 (51)
	No. OF PACKAGES SUPPLIED	---	(1) J-097535A (1) J-097536M

- SUPPLIED WITH:
- (1) J-077267 RAINSHIELD $\phi 14.00 (356)$
 - (1) J-091660 RAINSHIELD $\phi 16.00 (406)$



INSTALLATION OF SPLIT RAINSHIELD

NOTE TO PURCHASER
 ALL SALES OF LAPP PRODUCTS ARE
 SUBJECT TO OUR STANDARD TERMS
 AND CONDITIONS AND THE LIMITED
 WARRANTIES THEREUNDER.