

REVISION

DATE

**LAPP**  
INSULATOR COMPANY  
LEROY, N.Y. 14482



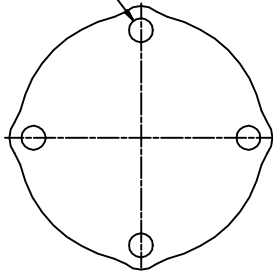
No. SDJ-315044 & -70

TITLE STATION POST ASSEMBLY

UNITS in. (mm) ORG.DATE 5-15-95 DWN. J. Corona APP.

REF. TECHNICAL REFERENCE No. TR-44

4 TAPPED HOLES  
5/8-11 +.015 OVERSIZE  
.75 (19) FULL THREAD  
ON 5.0 (127) BOLT CIRCLE



DIMENSIONS

LEAKAGE DISTANCE, in. (mm) 14.50 (368)

MECHANICAL VALUES

CANTILEVER STRENGTH, lbs. (kN) 4000 (17.8)

TENSION STRENGTH, lbs. (kN) 15000 (66.7)

TORSION STRENGTH, in.-lbs. (kNm) 14000 (1.6)

COMPRESSION STRENGTH, lbs. (kN) 20000 (88.9)

ELECTRICAL VALUES

CRITICAL IMPULSE FLASHOVER, POS., kV. 125

LOW FREQUENCY WET WITHSTAND, kV. 45

IMPULSE WITHSTAND, kV. 110

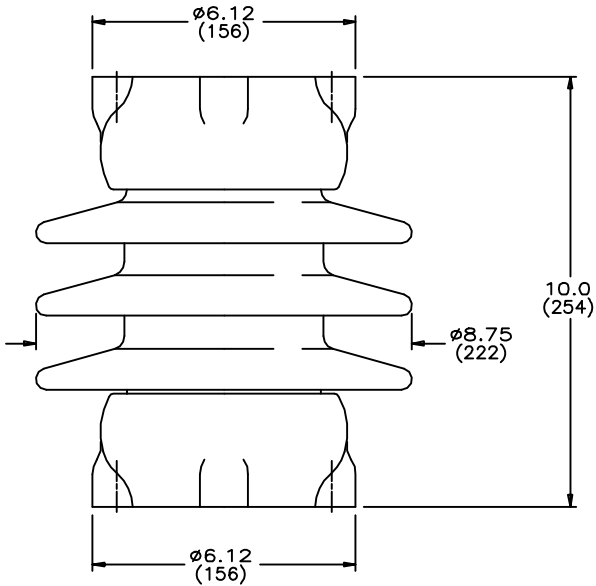
RADIO INFLUENCE VOLTAGE

TEST VOLTAGE, rms TO GROUND, kV 10

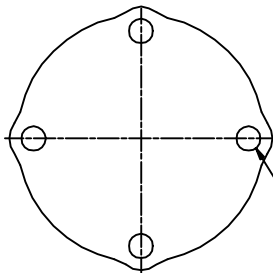
MAXIMUM RIV AT 1000 kHz, mV 50

NOTES

1. DIMENSIONS ARE IN INCHES (MILLIMETERS).
2. ALL FERROUS PARTS ARE HOT DIP GALVANIZED.
3. PART NUMBER OF UNIT STAMPED ON TOP HARDWARE.



ASSEMBLY NO.	GLAZE COLOR
J-315044	CHOCOLATE
J-315044-70	LIGHT GRAY No.70



4 TAPPED HOLES  
5/8-11 +.015 OVERSIZE  
.75 (19) FULL THREAD  
ON 5.0 (127) BOLT CIRCLE

NOTE TO PURCHASER  
ALL SALES OF LAPP PRODUCTS ARE  
SUBJECT TO OUR STANDARD TERMS  
AND CONDITIONS AND THE LIMITED  
WARRANTIES THEREUNDER.