

REVISION

DATE

LAPP
INSULATOR COMPANY
LEROY, N.Y. 14482



No. SDJ-315205 & -70

TITLE STATION POST ASSEMBLY

UNITS in. (mm) ORG.DATE 9-27-94 DWN. J. Corona APP.

REF. TECHNICAL REFERENCE No. TR-205

DIMENSIONS

LEAKAGE DISTANCE, in. (mm) 15.50 (394)

MECHANICAL VALUES

CANTILEVER STRENGTH, lb. (kN) 2000 (8.9)

TENSION STRENGTH, lb. (kN) 8500 (37.8)

TORSION STRENGTH, in-lb. (Nm) 7000 (790.3)

COMPRESSION STRENGTH, lb. (kN) 10000 (44.5)

ELECTRICAL VALUES

CRITICAL IMPULSE FLASHOVER, POS., kV. 125

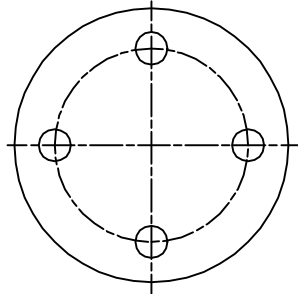
LOW FREQUENCY WET WITHSTAND, kV. 45

IMPULSE WITHSTAND, kV. 110

RADIO INFLUENCE VOLTAGE

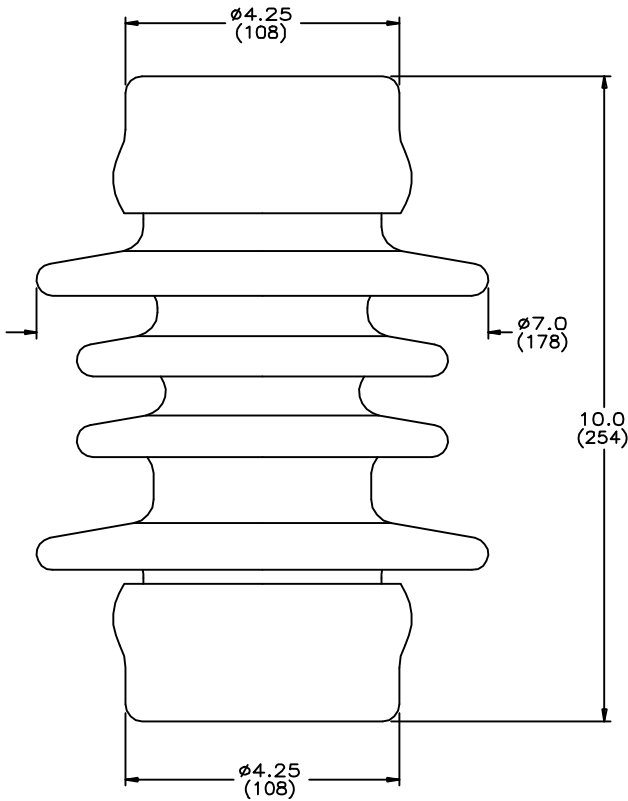
TEST VOLTAGE, RMS TO GROUND, kV. 10

MAXIMUM RIV AT 1000 kHz, MICROVOLTS 50

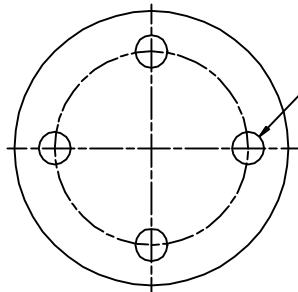


NOTES:

1. DIMENSIONS ARE IN INCHES (MILLIMETERS)
2. ALL FERROUS PARTS ARE HOT DIP GALV. PER ASTM A153



ASSEMBLY	GLAZE COLOR
J-315205	CHOCOLATE
J-315205-70	LIGHT GRAY No.70



(4) TAPPED HOLES
1/2-13 +.015 OVERSIZE
.62 (16) FULL THREAD
ON 3.0 (76) B.C.
BOTH ENDS

NOTE TO PURCHASER
ALL SALES OF LAPP PRODUCTS ARE
SUBJECT TO OUR STANDARD TERMS
AND CONDITIONS AND THE LIMITED
WARRANTIES THEREUNDER.