

REVISION	DATE		 No. SDJ-315208 & -70
REVISED PETTICOAT PROFILE	3-18-98		
REVISED PETTICOAT PROFILE	8-23-99 JRC		TITLE STATION POST ASSEMBLY

UNITS	in. (mm)	ORG.DATE	10-8-96	DWN.	<i>J. Corona</i>	APP.	<i>Richens</i>
REF. TECHNICAL REFERENCE No. TR-208							

DIMENSIONS

LEAKAGE DISTANCE, in. (mm)	24	(610)
----------------------------	----	-------

MECHANICAL VALUES

CANTILEVER STRENGTH, lb. (kN)	2000	(8.9)
TENSION STRENGTH, lb. (kN)	10000	(44.5)
TORSION STRENGTH, in-lb. (kNm)	8000	(903.2)
COMPRESSION STRENGTH, lb. (kN)	10000	(44.5)

ELECTRICAL VALUES

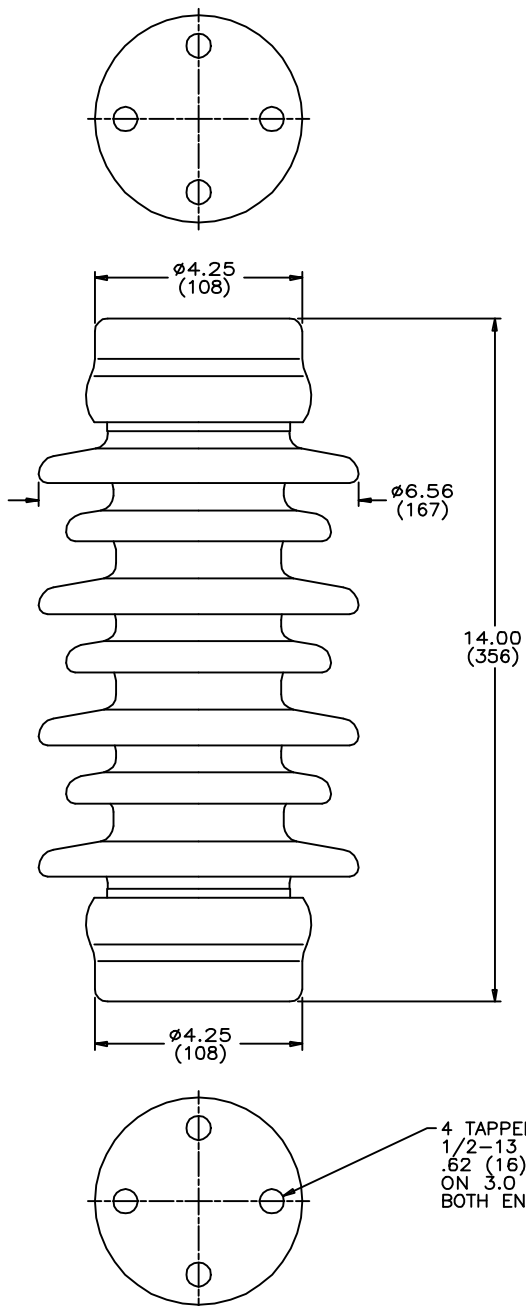
CRITICAL IMPULSE FLASHOVER, POS., kV.	170
LOW FREQUENCY WET WITHSTAND, kV.	60
LIGHTNING IMPULSE WITHSTAND, kV.	150

RADIO INFLUENCE VOLTAGE

TEST VOLTAGE, RMS TO GROUND, kV.	15
MAXIMUM RIV - MICROVOLTS AT 1000 kHz	100

NOTE:
ALL FERROUS PARTS ARE HOT DIP GALV. PER ASTM A153

ASSEMBLY	GLAZE COLOR
J-315208	CHOCOLATE
J-315208-70	LIGHT GRAY No.70



NOTE TO PURCHASER
ALL SALES OF LAPP PRODUCTS ARE
SUBJECT TO OUR STANDARD TERMS
AND CONDITIONS AND THE LIMITED
WARRANTIES THEREUNDER.