

REVISION	DATE	 LAPP INSULATOR COMPANY LEROY, N. Y. 14482	 No. SDJ-315227 & -70	TITLE
REVISED DIMENSIONS	4-3-95			
UNITS in. (mm)		ORG. DATE 10-18-94	DWN. J. Corona	APP.
REF. TECHNICAL REFERENCE No. TR-227				

DIMENSIONS

LEAKAGE DISTANCE, in. (mm) 24.0 (610)

MECHANICAL VALUES

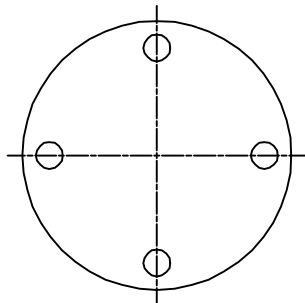
CANTILEVER STRENGTH, lb. (kN) 4000 (17.8)
 TENSION STRENGTH, lb. (kN) 20000 (89.0)
 TORSION STRENGTH, in-lb. (Nm) 16000 (1.81)
 COMPRESSION STRENGTH, lb. (kN) 20000 (89.0)

ELECTRICAL VALUES

CRITICAL IMPULSE FLASHOVER, POS., kV. 170
 LOW FREQUENCY WET WITHSTAND, kV. 60
 IMPULSE WITHSTAND, kV. 150

RADIO INFLUENCE VOLTAGE

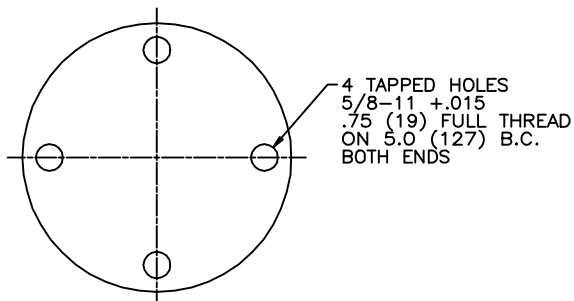
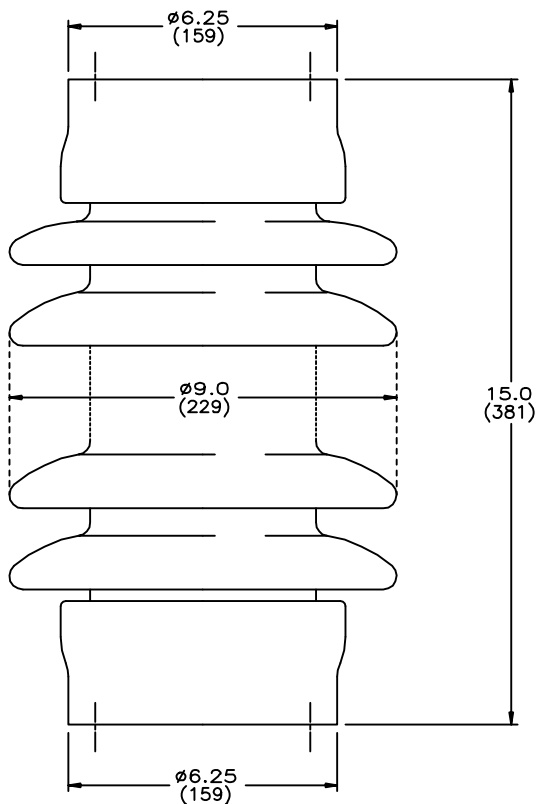
TEST VOLTAGE, RMS TO GROUND, kV. 15
 MAXIMUM RIV - MICROVOLTS AT 1000 kHz 100



NOTES:

1. DIMENSIONS ARE IN INCHES (MILLIMETERS)
2. ALL FERROUS PARTS ARE HOT DIP GALV. PER ASTM A153

ASSEMBLY	GLAZE COLOR
J-315227	CHOCOLATE
J-315227-70	LIGHT GRAY No.70



NOTE TO PURCHASER
 ALL SALES OF LAPP PRODUCTS ARE
 SUBJECT TO OUR STANDARD TERMS
 AND CONDITIONS AND THE LIMITED
 WARRANTIES THEREUNDER.