

REVISION

DATE

LAPP
INSULATOR COMPANY
LEROY, N.Y. 14482



No. SDJ-315231 & -70

TITLE STATION POST ASSEMBLY

UNITS in. (mm) | ORG.DATE 10-24-94 | DWN. J. Corona | APP.

REF.

DIMENSIONS

LEAKAGE DISTANCE, in (mm) 37 (940)

MECHANICAL VALUES

CANTILEVER STRENGTH, lbs (kN) 4000 (17.7)

TENSION STRENGTH, lbs (kN) 25000 (111.2)

TORSION STRENGTH, in-lbs (kN-m) 20000 (2.25)

COMPRESSION STRENGTH, lbs (kN) 30000 (133.4)

ELECTRICAL VALUES

CRITICAL IMPULSE FLASHOVER, POS., kV. 225

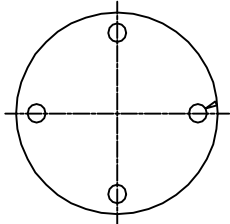
LOW FREQUENCY WET WITHSTAND, kV. 80

IMPULSE WITHSTAND, kV. 200

RADIO INFLUENCE VOLTAGE

TEST VOLTAGE, RMS TO GROUND, kV. 22

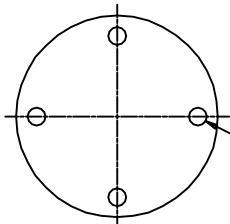
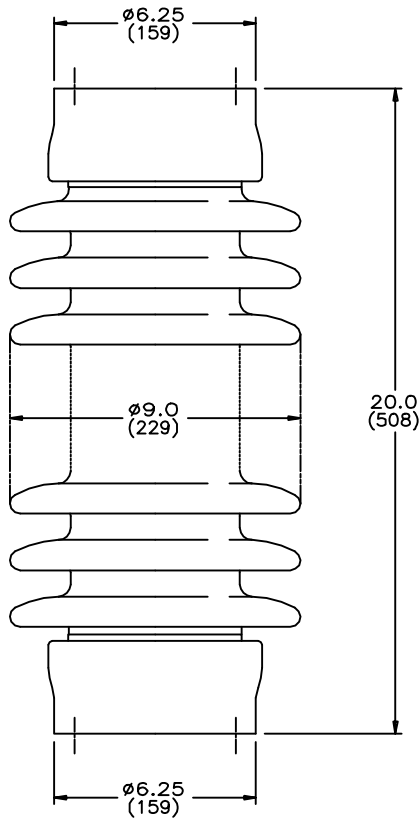
MAXIMUM RIV - MICROVOLTS AT 1000 kHz 100



NOTES:

1. DIMENSIONS ARE IN INCHES (MILLIMETERS)
2. ALL FERROUS PARTS ARE HOT DIP GALV. PER ASTM A153
3. UNIT NUMBER IS STAMPED ON TOP HARDWARE

ASSEMBLY NO.	GLAZE COLOR
J-315231	CHOCOLATE
J-315231-70	LIGHT GRAY No.70



(4) TAPPED HOLES
5/8-11 +.015 OVERSIZE
.75 FULL THREAD
ON 5.0 BOLT CIRCLE
BOTH ENDS - IN LINE

NOTE TO PURCHASER
ALL SALES OF LAPP PRODUCTS ARE
SUBJECT TO OUR STANDARD TERMS
AND CONDITIONS AND THE LIMITED
WARRANTIES THEREUNDER.