

REVISION HISTORY

REVISED, PORCELAIN WAS J-314826

DATE

1-17-01 KC



INSULATOR COMPANY
 LEROY, N.Y. 14482
 (716) 768-6221



BASE PART NUMBER

315267 (SERIES)

(SEE TABLE FOR VERSIONS)

TITLE

STATION POST ASSEMBLY

SUB-STATION DIVISION

REF. TECHNICAL REFERENCE No. TR-267

DIMENSIONS

LEAKAGE DISTANCE, in. (mm) 43 (1092)

MECHANICAL VALUES

CANTILEVER STRENGTH, lb. (kN) 4000 (17.8)
 TENSION STRENGTH, lb. (kN) 25000 (111.2)
 TORSION STRENGTH, in-lb. (kNm) 20000 (2.26)
 COMPRESSION STRENGTH, lb. (kN) 60000 (266.9)

ELECTRICAL VALUES

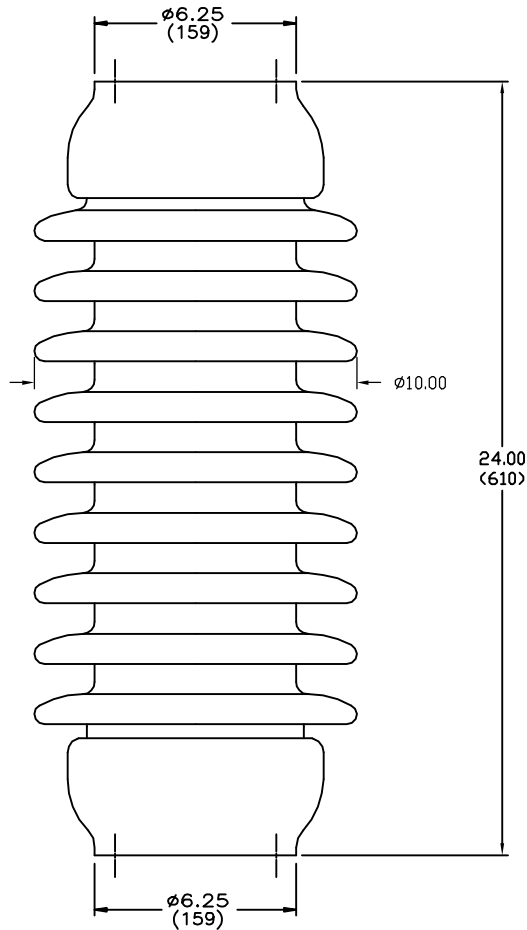
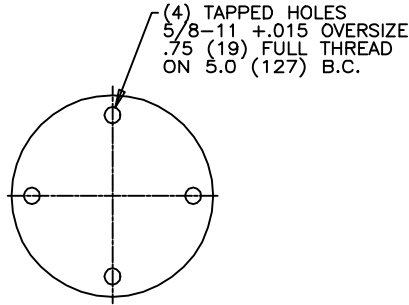
CRITICAL IMPULSE FLASHOVER, POS., kV. 280
 LOW FREQUENCY WET WITHSTAND, kV. 100
 IMPULSE WITHSTAND, kV. 250

RADIO INFLUENCE VOLTAGE

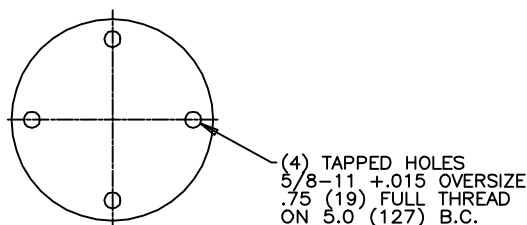
TEST VOLTAGE, RMS TO GROUND, kV. 30
 MAXIMUM RIV AT 1000 kHz, MICROVOLTS 200

NOTES:

1. DIMENSIONS ARE IN INCHES (MILLIMETERS)
2. ALL FERROUS PARTS ARE HOT DIP GALV. PER ASTM A153



GLAZE TABLE		
PART NUMBER VERSION	GLAZE COLOR	PORCELAIN NUMBER VERSION
J-315267	CHOCOLATE	J-313004
J-315267-70	LIGHT GRAY No.70	J-313004A



NOTE TO PURCHASER
 ALL SALES OF LAPP PRODUCTS ARE
 SUBJECT TO OUR STANDARD TERMS
 AND CONDITIONS AND THE LIMITED
 WARRANTIES THEREUNDER.

DWG. No. 4728

DWG. TYPE SHOP

AutoCAD 2000

DWN. Kala Cirkovic

APP.