

REVISION
REDRAWN

DATE
5-13-98 JRC

LAPP
INSULATOR COMPANY
LEROY, N.Y. 14482

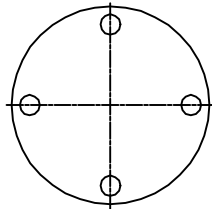


No. SDJ-315278 & -70

TITLE
STATION POST ASSEMBLY

UNITS in. (mm) ORG.DATE 7-28-98 DWN. J. Corona APP. Richens

REF. TECHNICAL REFERENCE No. TR-278



DIMENSIONS

LEAKAGE DISTANCE, in. (mm) 72 (1829)

MECHANICAL VALUES

CANTILEVER STRENGTH, lb. (kN) 3000 (13.3)

TENSION STRENGTH, lb. (kN) 25000 (111.2)

TORSION STRENGTH, in-lb. (kNm) 40000 (4.52)

COMPRESSION STRENGTH, lb. (kN) 60000 (266.9)

ELECTRICAL VALUES

CRITICAL IMPULSE FLASHOVER, POS., kV. 390

LOW FREQUENCY WET WITHSTAND, kV. 145

IMPULSE WITHSTAND, kV. 350

RADIO INFLUENCE VOLTAGE

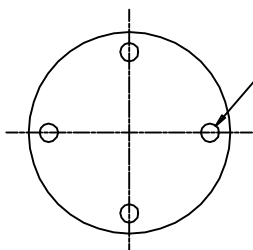
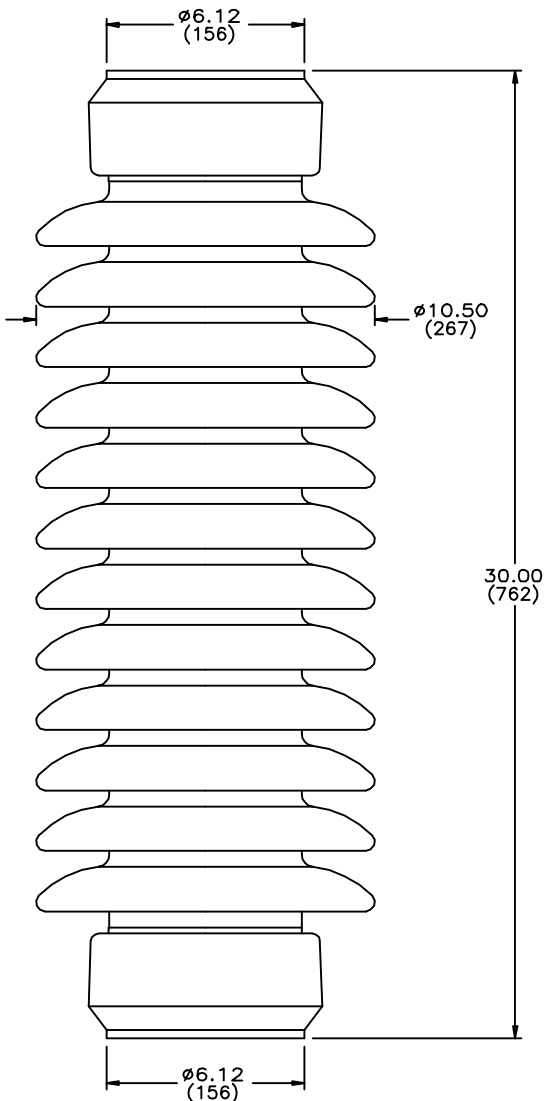
TEST VOLTAGE, RMS TO GROUND, kV. 44

MAXIMUM RIV - MICROVOLTS AT 1000 kHz 200

NOTES:

1. DIMENSIONS ARE IN INCHES (MILLIMETERS)
2. ALL FERROUS PARTS ARE HOT DIP GALV. PER ASTM A153

ASSEMBLY	GLAZE COLOR
J-315278	CHOCOLATE
J-315278-70	LIGHT GRAY No.70



4 TAPPED HOLES
5/8-11 +.015 OVERSIZE
.69 (17) FULL THREAD
ON 5.0 BOLT CIRCLE
BOTH ENDS

NOTE TO PURCHASER
ALL SALES OF LAPP PRODUCTS ARE
SUBJECT TO OUR STANDARD TERMS
AND CONDITIONS AND THE LIMITED
WARRANTIES THEREUNDER.