

REVISION HISTORY	DATE
DRAWING / DESIGN CREATED	02-10-05 JRC
CORRECTED PETTICOAT DIAMETER	03-16-05 JRC
UPDATED UNIT PART NUMBERS	08-29-06 JRC
CORRECTED MOUNTING HOLE DIMENSION VALUE	06-02-08 JRC



 in. [mm]	BASE PART NUMBER 315304 (+L SERIES) <small>(SEE TABLE FOR VERSIONS)</small>
	TITLE TWO UNIT STATION POST STACK

REF. TECHNICAL REFERENCE No. TR-304 (X3)

DIMENSIONS

LEAKAGE DISTANCE, in. [mm] 165 [4191]

MECHANICAL VALUES

CANTILEVER STRENGTH, lb. [kN] 950 [4.2]
 TENSION STRENGTH, lb. [kN] 20000 [88.9]
 TORSION STRENGTH, in.-lb. [kNm] 40000 [4.5]
 COMPRESSION STRENGTH, lb. [kN] 60000 [266.8]

ELECTRICAL VALUES

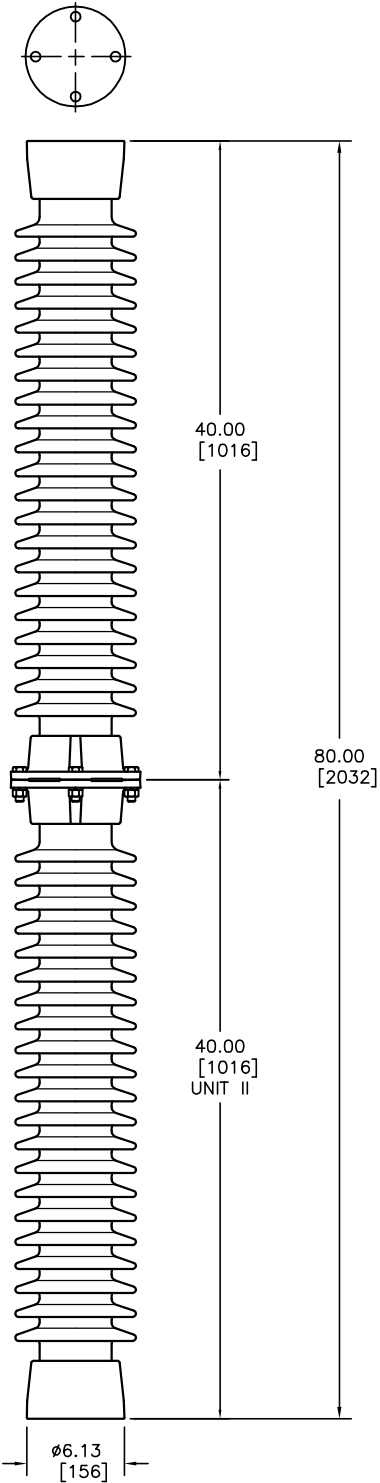
CRITICAL IMPULSE FLASHOVER, POS., kV. 1010
 LOW FREQUENCY WET WITHSTAND, kV. 385
 IMPULSE WITHSTAND, kV. 900

RADIO INFLUENCE VOLTAGE

TEST VOLTAGE, RMS TO GROUND, kV. 146
 MAXIMUM RIV - MICROVOLTS AT 1000 kHz 500

NOTE:

ALL FERROUS PARTS ARE HOT DIP GALV. PER ASTM A153



ASSEMBLY	GLAZE COLOR
J-315304+L	CHOCOLATE
J-315304-70+L	LIGHT GRAY No.70

		UNIT I	UNIT II
ASSY.No.	J-315304+L	J-320624	J-320625
	J-315304-70+L	J-320624A	J-320625A
UNIT CHARACTERISTICS	PETTICOAT DIAMETER	ø7.56 [192]	ø7.56 [192]
	NUMBER & SIZE OF TOP HOLES	4 TAPPED HOLES 5/8-11+.015	4 HOLES ø.56 [14]
	BOLT CIRCLE	5.00 [127]	7.00 [178]
	NUMBER & SIZE OF BOTTOM HOLES	4 HOLES ø.56 [14]	4 TAPPED HOLES 5/8-11+.015
	BOLT CIRCLE	7.00 [178]	5.00 [127]
CAPSCREW PKG	BOLTS,NUTS & L.W. SIZE	----	1/2-13
	BOLT LENGTH	----	2.00 [51]
	No.OF PACKAGES SUPPLIED	----	(1) J097535A

4 TAPPED HOLES
 5/8-11 +.015" OVERSIZE
 .75 [19] MIN. FULL THREAD
 ON 5.00 [127] B.C.
 BOTH ENDS

NOTE TO PURCHASER
 ALL SALES OF LAPP PRODUCTS ARE
 SUBJECT TO OUR STANDARD TERMS
 AND CONDITIONS AND THE LIMITED
 WARRANTIES THEREUNDER.