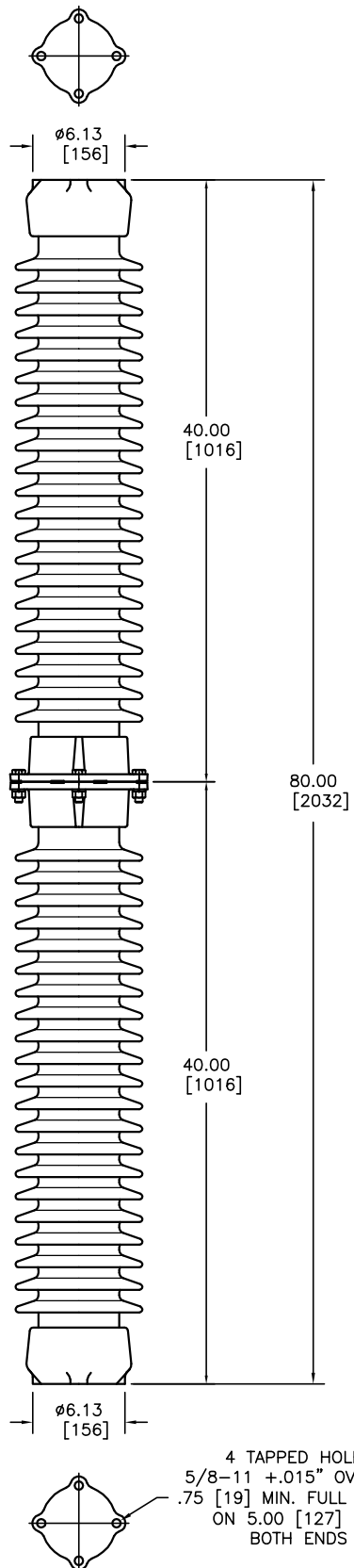


|                                         |              |
|-----------------------------------------|--------------|
| <b>REVISION HISTORY</b>                 | <b>DATE</b>  |
| DRAWING / DESIGN CREATED                | 10-30-06 JRC |
| CORRECTED MOUNTING HOLE DIMENSION VALUE | 06-02-08 JRC |



|              |                                                                           |
|--------------|---------------------------------------------------------------------------|
| <br>in. [mm] | BASE PART NUMBER<br><b>315308 (+L SERIES)</b><br>(SEE TABLE FOR VERSIONS) |
|              | TITLE<br><b>TWO UNIT STATION POST STACK</b>                               |

REF. TECHNICAL REFERENCE No. TR-308



**DIMENSIONS**

LEAKAGE DISTANCE, in. [mm] 165 [4191]

**MECHANICAL VALUES**

CANTILEVER STRENGTH, lb. [kN] 1450 [6.4]  
 TENSION STRENGTH, lb. [kN] 25000 [111.2]  
 TORSION STRENGTH, in.-lb. [kNm] 90000 [10.16]  
 COMPRESSION STRENGTH, lb. [kN] 75000 [333.6]

**ELECTRICAL VALUES**

CRITICAL IMPULSE FLASHOVER, POS., kV. 1010  
 LOW FREQUENCY WET WITHSTAND, kV. 385  
 IMPULSE WITHSTAND, kV. 900

**RADIO INFLUENCE VOLTAGE**

TEST VOLTAGE, RMS TO GROUND, kV. 146  
 MAXIMUM RIV - MICROVOLTS AT 1000 kHz 500

**NOTE:**

ALL FERROUS PARTS ARE HOT DIP GALV. PER ASTM A153

| ASSEMBLY      | GLAZE COLOR      |
|---------------|------------------|
| J-315308+L    | CHOCOLATE        |
| J-315308-70+L | LIGHT GRAY No.70 |

|                             |                               | UNIT I                        | UNIT II                       |
|-----------------------------|-------------------------------|-------------------------------|-------------------------------|
| <b>ASSY.No</b>              | J-315308+L                    | J-320636                      | J-320637                      |
|                             | J-315308-70+L                 | J-320636A                     | J-320637A                     |
| <b>UNIT CHARACTERISTICS</b> | PETTICOAT DIAMETER            | ø8.44 [214]                   | ø8.44 [214]                   |
|                             | NUMBER & SIZE OF TOP HOLES    | 4 TAPPED HOLES<br>5/8-11+.015 | 4 HOLES<br>ø.56 [14]          |
|                             | BOLT CIRCLE                   | 5.0 [127]                     | 8.0 [203]                     |
|                             | NUMBER & SIZE OF BOTTOM HOLES | 4 HOLES<br>ø.56 [14]          | 4 TAPPED HOLES<br>5/8-11+.015 |
|                             | BOLT CIRCLE                   | 8.0 [203]                     | 5.0 [127]                     |
| <b>CAPSCREW PKG</b>         | BOLTS,NUTS & L.W. SIZE        | ----                          | 1/2-13                        |
|                             | BOLT LENGTH                   | ----                          | 2.0 [51]                      |
|                             | No.OF PACKAGES SUPPLIED       | ----                          | (1) J-097535A                 |

4 TAPPED HOLES  
 5/8-11 +.015" OVERSIZE  
 .75 [19] MIN. FULL THREAD  
 ON 5.00 [127] B.C.  
 BOTH ENDS

NOTE TO PURCHASER  
 ALL SALES OF LAPP PRODUCTS ARE  
 SUBJECT TO OUR STANDARD TERMS  
 AND CONDITIONS AND THE LIMITED  
 WARRANTIES THEREUNDER.