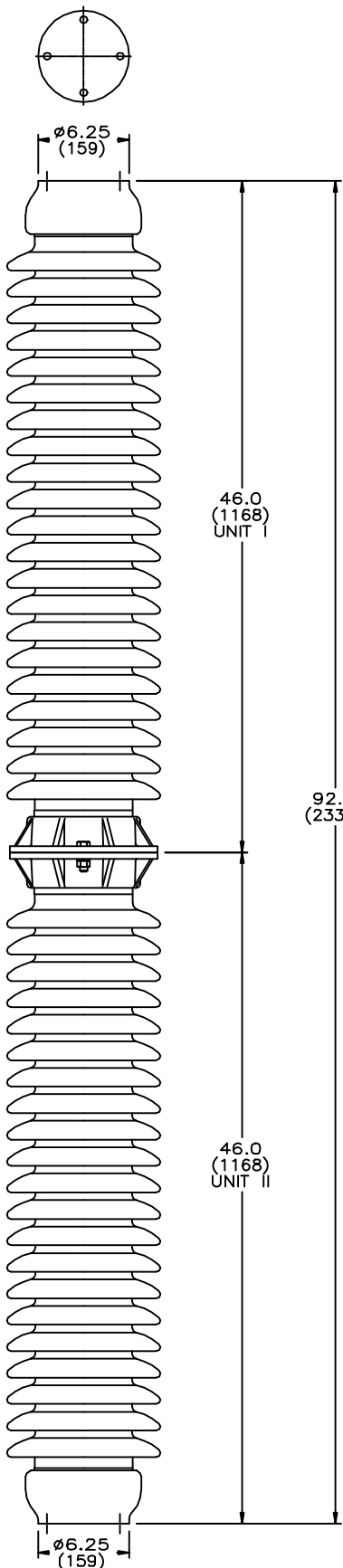


REVISION	DATE		LAPP INSULATOR Co.	No.	SDJ-315316 & -70
REVISED & REDRAWN	5-11-95		LEROY, N.Y. 14482	TITLE	2 UNIT
			UNITS in.(mm)	ORG.DATE	9-23-94
			SCALE	1/8	DWN. J. Corona
		REF. TECHNICAL REFERENCE No. TR-316		STATION	POST STACK
				APP.	



DIMENSIONS

LEAKAGE DISTANCE, in. (mm) 230 (5842)

MECHANICAL VALUES

CANTILEVER STRENGTH, lb. (kN) 1250 (5.56)
 TENSION STRENGTH, lb. (kN) 25000 (111.20)
 TORSION STRENGTH, in.-lb. (kNm) 90000 (10.16)
 COMPRESSION STRENGTH, lb. (kN) 75000 (333.60)

ELECTRICAL VALUES

CRITICAL IMPULSE FLASHOVER, POS., kV. 1210
 LOW FREQUENCY WET WITHSTAND, kV. 455
 IMPULSE WITHSTAND, kV. 1050

RADIO INFLUENCE VOLTAGE

TEST VOLTAGE, RMS TO GROUND, kV. 146
 MAXIMUM RIV - MICROVOLTS AT 1000 kHz 500

NOTES:

1. DIMENSIONS ARE IN INCHES (MILLIMETERS)
2. ALL FERROUS PARTS ARE HOT DIP GALV. PER ASTM A153

ASSEMBLY	GLAZE COLOR
J-315316	CHOCOLATE
J-315316-70	LIGHT GRAY No.70

		UNIT I	UNIT II
ASSY.No.	J-315316	J-314640	J-314641
	J-315316-70	J-314640-A	J-314641-A
UNIT CHARACTERISTICS	PETTICOAT DIAMETER	ø10.50 (267)	ø10.50 (267)
	NUMBER & SIZE OF TOP HOLES	4 TAPPED HOLES 5/8-11+.015	4 HOLES ø.56 (14)
	BOLT CIRCLE	5.0 (127)	9.0 (229)
UNIT CHARACTERISTICS	NUMBER & SIZE OF BOTTOM HOLES	4 HOLES ø.56 (14)	4 TAPPED HOLES 5/8-11+.015
	BOLT CIRCLE	9.0 (229)	5.0 (127)
	CAPSCREW PKG	BOLTS,NUTS & L.W. SIZE	----
BOLT LENGTH		----	2.0 (51)
No.OF PACKAGES SUPPLIED		----	(1) J97535A

4 TAPPED HOLES
 5/8-11 +.015 OVERSIZE
 .74 (19) MIN. FULL THREAD
 ON 5.0 (127) BOLT CIRCLE
 BOTH ENDS

NOTE TO PURCHASER
 ALL SALES OF LAPP PRODUCTS ARE
 SUBJECT TO OUR STANDARD TERMS
 AND CONDITIONS AND THE LIMITED
 WARRANTIES THEREUNDER.