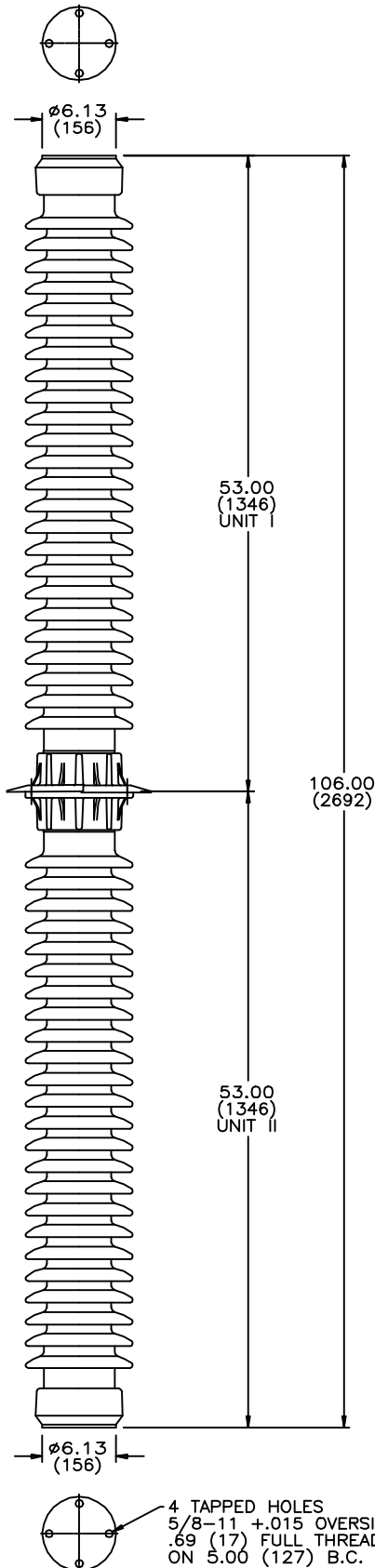


REVISION	DATE	<b>LAPP</b> INSULATOR COMPANY LEROY, N.Y. 14482	No. SDJ-315324 & -70	TITLE	
REVISED DWG. TO MATCH DIMENSIONS OF UNITS USED	9-28-95			TWO UNIT STATION POST STACK	
REVISED & REDRAWN	2-1-96	UNITS in. (mm)	ORG.DATE 9-23-94	DWN. <i>J. Corona</i>	APP. <i>Richens</i>
REVISED PORCELAIN, CORRECTED DIMENSION: RAINSHIELD DIA. CALLED OUT AS Ø8.0 (203)	5-5-99 JRC	REF. TECHNICAL REFERENCE No. TR-324			



**LEAKAGE DISTANCE**

LEAKAGE DISTANCE, in. (mm) 231 (5867)

**MECHANICAL VALUES**

CANTILEVER STRENGTH, lb. (kN) 1000 (4.45)  
TENSION STRENGTH, lb. (kN) 25000 (111.20)  
TORSION STRENGTH, in-lb. (kNm) 90000 (10.20)  
COMPRESSION STRENGTH, lb. (kN) 75000 (333.60)

**ELECTRICAL VALUES**

CRITICAL IMPULSE FLASHOVER, POS., kv. 1410  
LOW FREQUENCY WET WITHSTAND, kv. 525  
IMPULSE WITHSTAND, kv. 1300

**RADIO INFLUENCE VOLTAGE**

TEST VOLTAGE, RMS TO GROUND, kv. 220  
MAXIMUM RIV - MICROVOLTS AT 1000 kHz 1000

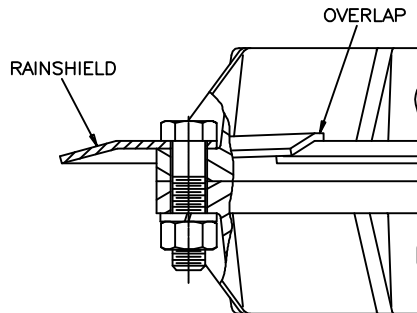
**NOTE:**

ALL FERROUS PARTS ARE HOT DIP GALV. PER ASTM A153

ASSEMBLY	GLAZE COLOR
J-315324	CHOCOLATE
J-315324-70	LIGHT GRAY No.70

	UNIT I	UNIT II
ASSY.No.	J-315324	J-318289
	J-315324-70	J-318290-A
UNIT CHARACTERISTICS	PETTICOAT DIAMETER	Ø8.94 (227)
	NUMBER & SIZE OF TOP HOLES	4 TAPPED HOLES 5/8-11+.015
	BOLT CIRCLE	5.0 (127)
	NUMBER & SIZE OF BOTTOM HOLES	4 HOLES Ø.56 (14)
CAPSCREW PKG	BOLTS,NUTS & L.W. SIZE	1/2-13
	BOLT LENGTH	2.0 (51)
	No.OF PACKAGES SUPPLIED	(1) J97535-A

SUPPLIED WITH (1) J-309714 RAINSHIELD Ø12.0 (305)



**INSTALLATION OF SPLIT RAINSHIELD**

NOTE TO PURCHASER  
ALL SALES OF LAPP PRODUCTS ARE SUBJECT TO OUR STANDARD TERMS AND CONDITIONS AND THE LIMITED WARRANTIES THEREUNDER.