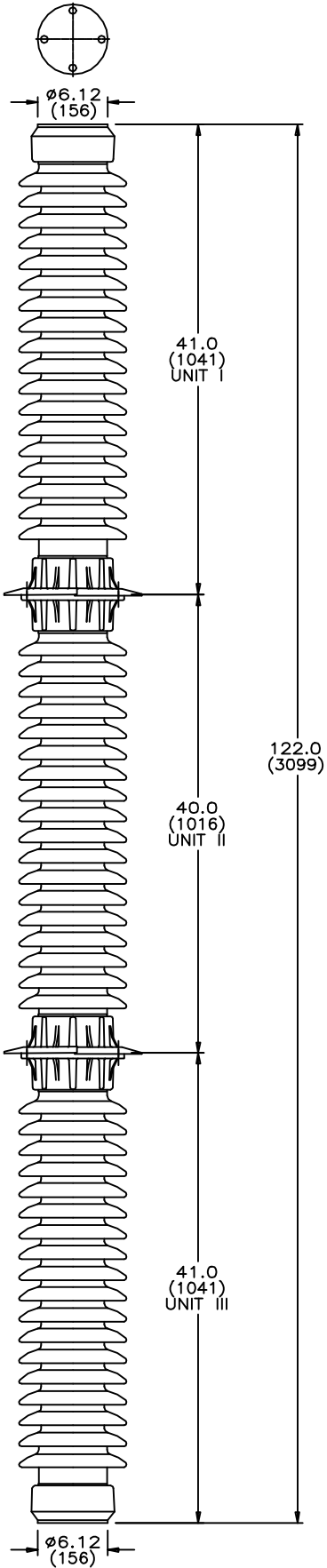


REVISION	DATE		 No.	SDJ-315330 & -70
REVISED & REDRAWN	1-29-96			
UPDATED HARDWARE PROFILES	1-20-98 DMC	INSULATOR COMPANY LEROY, N.Y. 14482		

UNITS in. (mm)	ORG.DATE 9-23-94	DWN. <i>J. Corona</i>	APP. <i>Richens</i>
REF. TECHNICAL REFERENCE No. TR-330			



**DIMENSIONS**  
LEAKAGE DISTANCE, in. (mm) 264 (6606)

**MECHANICAL VALUES**  
 CANTILEVER STRENGTH, lb. (kN) 900 (4.0)  
 TENSION STRENGTH, lb. (kN) 25000 (111.2)  
 TORSION STRENGTH, in-lb. (kNm) 90000 (10.16)  
 COMPRESSION STRENGTH, lb. (kN) 75000 (333.6)

**ELECTRICAL VALUES**  
 CRITICAL IMPULSE FLASHOVER, POS., kV. 1610  
 LOW FREQUENCY WET WITHSTAND, kV. 590  
 IMPULSE WITHSTAND, kV. 1470

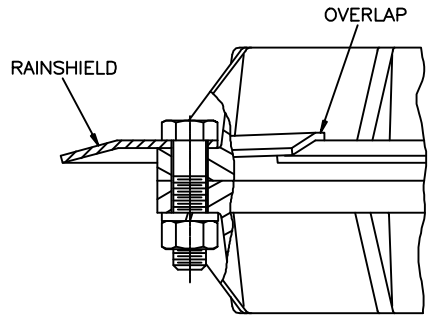
**RADIO INFLUENCE VOLTAGE**  
 TEST VOLTAGE, RMS TO GROUND, kV. 220  
 MAXIMUM RIV - MICROVOLTS AT 1000 kHz 1000

NOTE:  
ALL FERROUS PARTS ARE HOT DIP GALV. PER ASTM A153

ASSEMBLY	GLAZE COLOR
J-315330	CHOCOLATE
J-315330-70	LIGHT GRAY No.70

		UNIT I	UNIT II	UNIT II
ASSY. NO.	J-315330	J-318264	J-318266	J-318268
	J-315330-70	J-318264-A	J-318266-A	J-318268-A
UNIT CHARACTERISTICS	PETTYCOAT DIAMETER	ø9.38 (238)	ø9.38 (238)	ø9.38 (238)
	NUMBER & SIZE OF TOP HOLES	4 TAPPED HOLES 5/8-11+.015	4 HOLES ø.56 (14)	4 HOLES ø.56 (14)
	BOLT CIRCLE	5.0 (127)	8.0 (203)	8.0 (203)
	NUMBER & SIZE OF BOTTOM HOLES	4 HOLES ø.56 (14)	4 HOLES ø.56 (14)	4 TAPPED HOLES 5/8-11+.015
	BOLT CIRCLE	8.0 (203)	8.0 (203)	5.0 (127)
CAPSCREW PKG	BOLTS, NUTS & L.W. SIZE	---	1/2-13	1/2-13
	BOLT LENGTH	---	2.0 (51)	2.0 (51)
	No. OF PACKAGES SUPPLIED	---	(1) J97535A	(1) J97535A

SUPPLIED WITH: (2) J-309714 RAINSHIELDS ø12.0 (305)



INSTALLATION OF SPLIT RAINSHIELD

4 TAPPED HOLES  
5/8-11 +.015 OVERSIZE  
.69 (17) FULL THREAD  
ON 5.0 (127) B.C.  
BOTH ENDS

NOTE TO PURCHASER  
ALL SALES OF LAPP PRODUCTS ARE  
SUBJECT TO OUR STANDARD TERMS  
AND CONDITIONS AND THE LIMITED  
WARRANTIES THEREUNDER.