

RELEASE HISTORY

(a) REPLACED UNIT II WITH 318279, WAS 318287 6-19-07 DJB

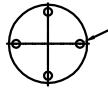


PART NUMBER  
**315367 SERIES**

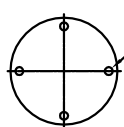
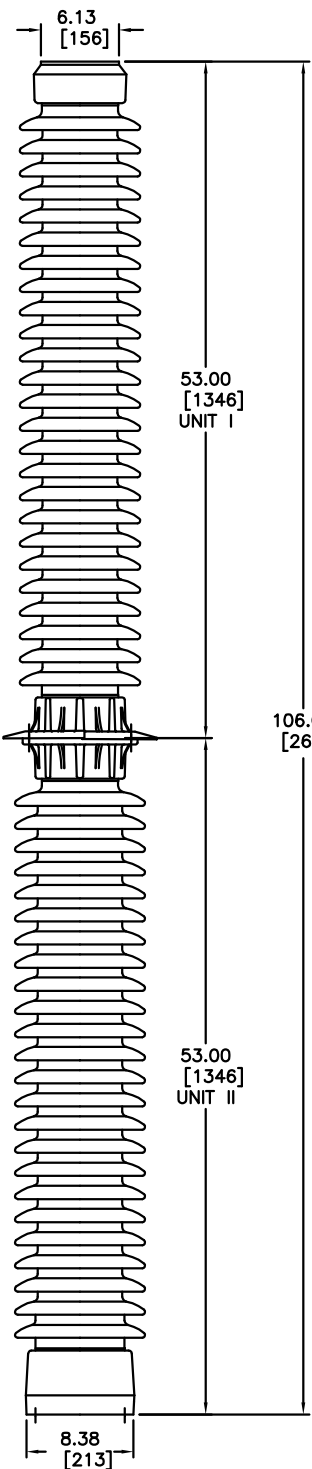
in. [mm] DRAWING NUMBER 4833

TITLE  
TWO UNIT  
STATION POST STACK

REF. TECHNICAL REFERENCE No. TR-367



(4) TAPPED HOLES  
5/8-11 +.015 OVERSIZE  
.75 [19] FULL THREAD  
ON 5.00 [127] BOLT CIRCLE



4 TAPPED HOLES  
3/4-10 +.015 OVERSIZE  
.88 [22] FULL THREAD  
ON 7.00 [178] B.C.

LEAKAGE DISTANCE  
LEAKAGE DISTANCE, in. [mm] 231 [5867]

MECHANICAL VALUES  
CANTILEVER STRENGTH, lb. [kN] 1450 [6.45]  
TENSION STRENGTH, lb. [kN] 20000 [88.96]  
TORSION STRENGTH, in-lb. [kNm] 40000 [4.52]  
COMPRESSION STRENGTH, lb. [kN] 60000 [266.88]

ELECTRICAL VALUES  
CRITICAL IMPULSE FLASHOVER, POS., kV. 1410  
LOW FREQUENCY WET WITHSTAND, kV. 525  
IMPULSE WITHSTAND, kV. 1300

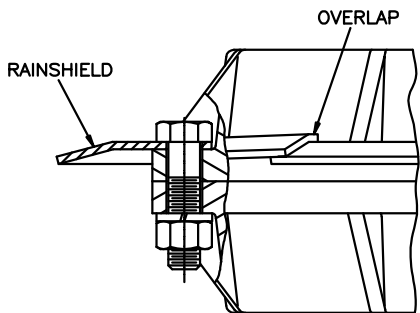
RADIO INFLUENCE VOLTAGE  
TEST VOLTAGE, RMS TO GROUND, kV. 220  
MAXIMUM RIV - MICROVOLTS AT 1000 kHz 1000

NOTE:  
ALL FERROUS PARTS ARE HOT DIP GALV. PER ASTM A153

ASSEMBLY	GLAZE COLOR
J-315367	CHOCOLATE
J-315367-70	LIGHT GRAY No.70

	UNIT I	UNIT II
ASSY.No.	J-318285	J-318279
	J-318285A	J-318279A
UNIT CHARACTERISTICS	PETTICOAT DIAMETER	ø9.44 [240] / ø10.19 [259]
	NUMBER & SIZE OF TOP HOLES	4 TAPPED HOLES 5/8-11+.015 / 4 HOLES ø.56 [14]
	BOLT CIRCLE	5.00 [127] / 8.00 [203]
UNIT CHARACTERISTICS	NUMBER & SIZE OF BOTTOM HOLES	4 HOLES ø.56 [14] / 4 TAPPED HOLES 3/4-10+.015
	BOLT CIRCLE	8.00 [203] / 7.00 [178]
CAPSCREW PKG	BOLTS,NUTS & L.W. SIZE	--- / 1/2-13
	BOLT LENGTH	--- / 2.00 [51]
	No.OF PACKAGES SUPPLIED	--- / (1) J-097535A

SUPPLIED WITH (1) J-309714 RAINSHIELD ø12.00 [305]



INSTALLATION OF SPLIT RAINSHIELD

NOTE TO PURCHASER  
ALL SALES OF LAPP PRODUCTS ARE SUBJECT TO OUR STANDARD TERMS AND CONDITIONS AND THE LIMITED WARRANTIES THEREUNDER.