
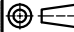
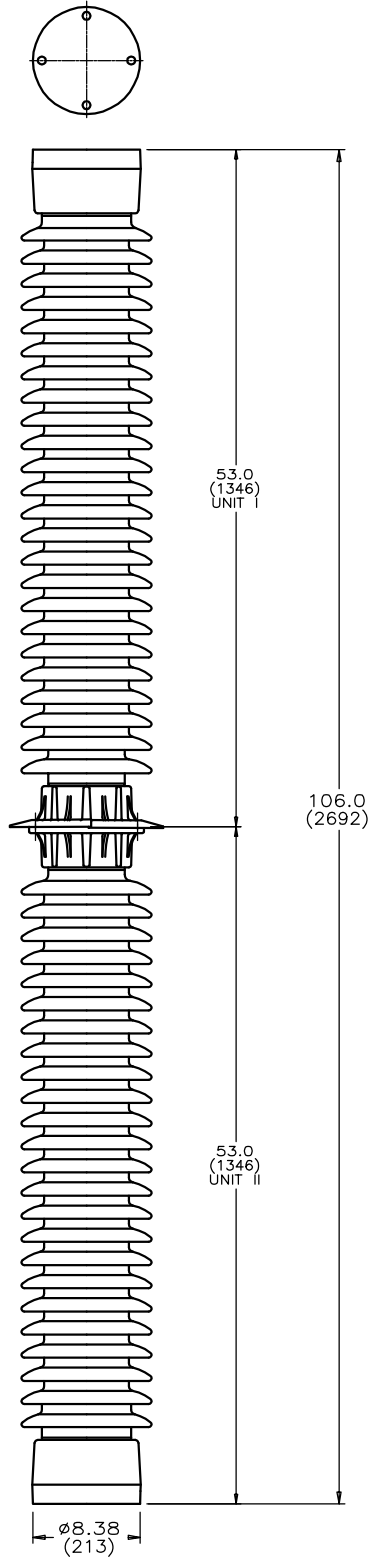


REVISION	DATE
REVISED DWG. TO MATCH DIMENSIONS OF UNITS USED	9-28-95
REVISED & REDRAWN	1-30-96

 INSULATOR COMPANY LEROY, N.Y. 14482	 No. SDJ-315368 & -70		
	TITLE TWO UNIT STATION POST STACK		
UNITS in. (mm)	ORG. DATE 9-23-94	DWN. F. Doyle	APP.
REF. TECHNICAL REFERENCE No. TR-368			



LEAKAGE DISTANCE

LEAKAGE DISTANCE, in. (mm) 231 (5867)

MECHANICAL VALUES

CANTILEVER STRENGTH, lb. (kN) 2000 (8.89)
 TENSION STRENGTH, lb. (kN) 40000 (177.92)
 TORSION STRENGTH, in-lb. (kNm) 120000 (13.55)
 COMPRESSION STRENGTH, lb. (kN) 100000 (444.80)

ELECTRICAL VALUES

CRITICAL IMPULSE FLASHOVER, POS., kV. 1410
 LOW FREQUENCY WET WITHSTAND, kV. 525
 IMPULSE WITHSTAND, kV. 1300

RADIO INFLUENCE VOLTAGE

TEST VOLTAGE, RMS TO GROUND, kV. 220
 MAXIMUM RIV - MICROVOLTS AT 1000 kHz 1000

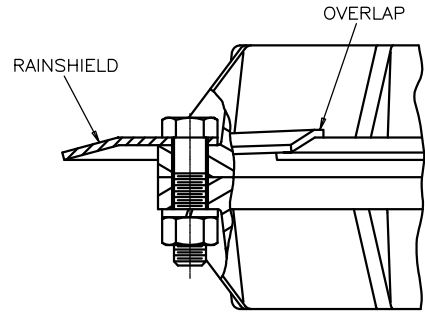
NOTE:

ALL FERROUS PARTS ARE HOT DIP GALV. PER ASTM A153

ASSEMBLY	GLAZE COLOR
J-315368	CHOCOLATE
J-315368-70	LIGHT GRAY No.70

	UNIT I	UNIT II	
ASSY. No.	J-315368	J-318277	J-318279
	J-315368-70	J-318277-A	J-318279-A
UNIT CHARACTERISTICS	PETTYCOAT DIAMETER	ø10.19 (259)	ø10.19 (259)
	NUMBER & SIZE OF TOP HOLES	4 TAPPED HOLES 3/4-10+.015	4 HOLES ø.56 (14)
	BOLT CIRCLE	7.0 (178)	8.0 (203)
	NUMBER & SIZE OF BOTTOM HOLES	4 HOLES ø.56 (14)	4 TAPPED HOLES 3/4-10+.015
	BOLT CIRCLE	8.0 (203)	7.0 (178)
CAPSCREW PKG	BOLTS, NUTS & L.W. SIZE	---	1/2-13
	BOLT LENGTH	---	2.0 (51)
	No. OF PACKAGES SUPPLIED	---	(1) J97535-A

SUPPLIED WITH (1) J-309714 RAINSHIELD ø12.0 (305)



INSTALLATION OF SPLIT RAINSHIELD

4 TAPPED HOLES
 3/4-10 +.015 OVERSIZE
 .88 (22) FULL THREAD
 ON 7.0 (178) B.C.
 BOTH ENDS

NOTE TO PURCHASER
 ALL SALES OF LAPP PRODUCTS ARE SUBJECT TO OUR STANDARD TERMS AND CONDITIONS AND THE LIMITED WARRANTIES THEREUNDER.