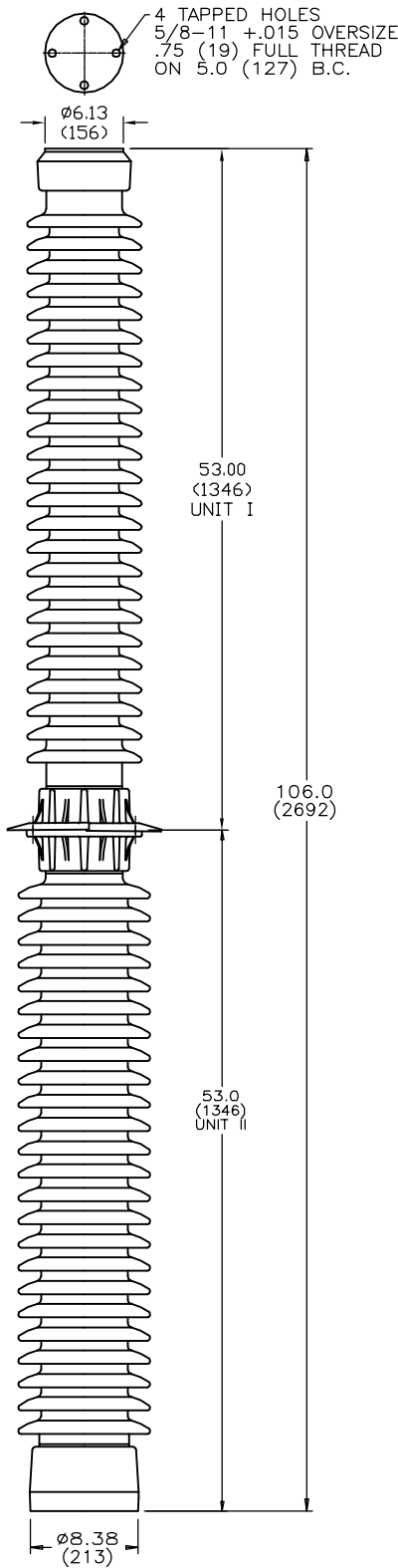


REVISION	DATE	LAPP INSULATOR COMPANY LEROY, N.Y. 14482	No. SDJ-315369 & -70	TITLE TWO UNIT STATION POST STACK
REVISED DWG. TO MATCH DIMENSIONS OF UNITS USED	9-28-95			
REVISED & REDRAWN	2-5-96	UNITS in. (mm)	ORG.DATE 9-23-94	DWN. <i>F. Doyle</i>
UNIT I WAS 318299 & A	07-28-05 JRC	REF. TECHNICAL REFERENCE No. TR-369		



LEAKAGE DISTANCE

LEAKAGE DISTANCE, in. (mm) 231 (5867)

MECHANICAL VALUES

CANTILEVER STRENGTH, lb. (kN) 2050 (9.12)
TENSION STRENGTH, lb. (kN) 20000 (88.96)
TORSION STRENGTH, in.-lb. (kNm) 40000 (4.52)
COMPRESSION STRENGTH, lb. (kN) 60000 (266.88)

ELECTRICAL VALUES

CRITICAL IMPULSE FLASHOVER, POS., kV. 1410
LOW FREQUENCY WET WITHSTAND, kV. 525
IMPULSE WITHSTAND, kV. 1300

RADIO INFLUENCE VOLTAGE

TEST VOLTAGE, RMS TO GROUND, kV. 220
MAXIMUM RIV - MICROVOLTS AT 1000 kHz 1000

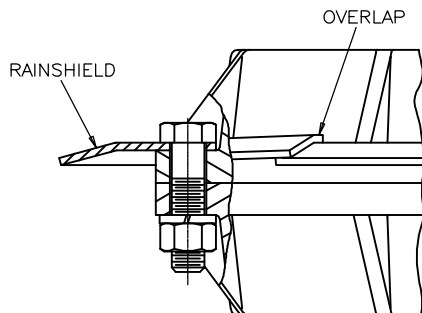
NOTE:

ALL FERROUS PARTS ARE HOT DIP GALV. PER ASTM A153

ASSEMBLY	GLAZE COLOR
J-315369	CHOCOLATE
J-315369-70	LIGHT GRAY No.70

	UNIT I	UNIT II
ASSY.No	J-315369	J-318289
	J-315369-70	J-318289A
UNIT CHARACTERISTICS	PETTICOAT DIAMETER	08.94 (227)
	NUMBER & SIZE OF TOP HOLES	4 TAPPED HOLES 5/8-11+.015
	BOLT CIRCLE	5.0 (127)
UNIT CHARACTERISTICS	NUMBER & SIZE OF BOTTOM HOLES	4 HOLES 0.56 (14)
	BOLT CIRCLE	8.0 (203)
	NUMBER & SIZE OF TOP HOLES	4 TAPPED HOLES 3/4-10+.015
CAPSCREW PKG	BOLTS,NUTS & L.W. SIZE	1/2-13
	BOLT LENGTH	2.0 (51)
	No.OF PACKAGES SUPPLIED	(1) 097535A

SUPPLIED WITH (1) J-309714 RAINSHIELD 012.0 (305)



INSTALLATION OF SPLIT RAINSHIELD

NOTE TO PURCHASER
ALL SALES OF LAPP PRODUCTS ARE SUBJECT TO OUR STANDARD TERMS AND CONDITIONS AND THE LIMITED WARRANTIES THEREUNDER.