

REVISION

DATE

REVISED & REDRAWN

1-29-96



No.

SDJ-315371 & -70

TITLE

THREE UNIT
STATION POST STACK

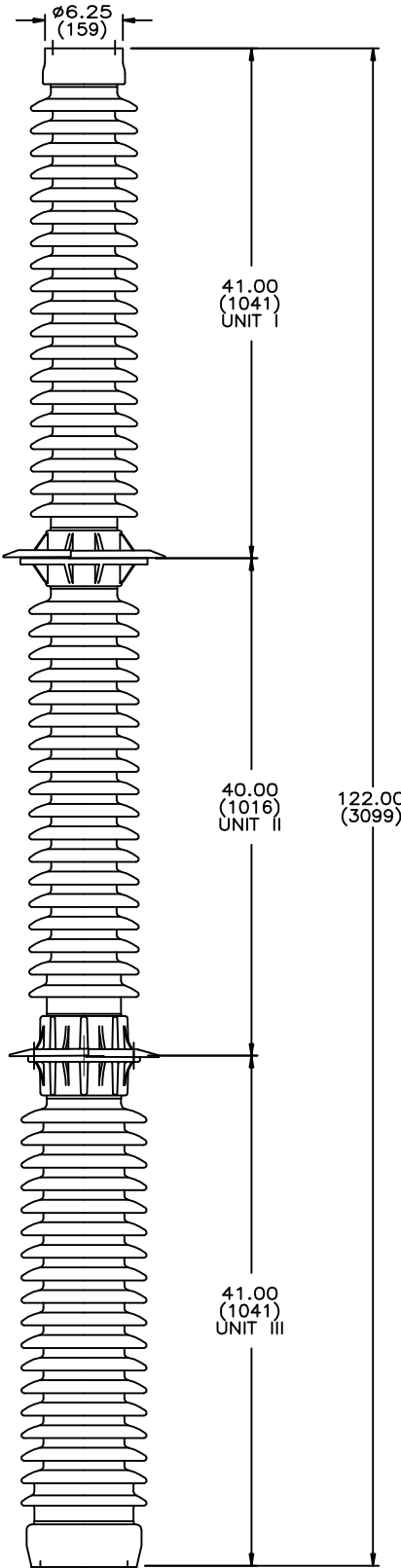
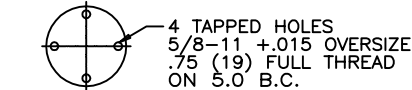
UNITS in. (mm)

ORG. DATE 9-23-94

DWN. J. Corona

APP.

REF. TECHNICAL REFERENCE No. TR-371



DIMENSIONS

LEAKAGE DISTANCE, in. (mm) 264 (6606)

MECHANICAL VALUES

CANTILEVER STRENGTH, lb. (kN) 1170 (5.20)
 TENSION STRENGTH, lb. (kN) 20000 (89.0)
 TORSION STRENGTH, in-lb. (kNm) 40000 (4.52)
 COMPRESSION STRENGTH, lb. (kN) 60000 (266.9)

ELECTRICAL VALUES

CRITICAL IMPULSE FLASHOVER, POS., kV. 1610
 LOW FREQUENCY WET WITHSTAND, kV. 590
 IMPULSE WITHSTAND, kV. 1470

RADIO INFLUENCE VOLTAGE

TEST VOLTAGE, RMS TO GROUND, kV. 220
 MAXIMUM RIV - MICROVOLTS AT 1000 kHz 1000

NOTE:

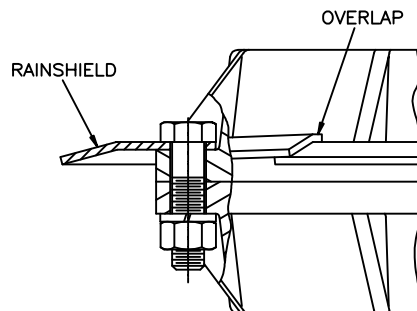
ALL FERROUS PARTS ARE HOT DIP GALV. PER ASTM A153

ASSEMBLY	GLAZE COLOR
J-315371	CHOCOLATE
J-315371-70	LIGHT GRAY No.70

		UNIT I	UNIT II	UNIT III
ASSY.No	J-315371	J-318269	J-318270	J-318271
	J-315371-70	J-318269A	J-318270A	J-318271A
UNIT CHARACTERISTICS	PETTICOAT DIAMETER	ø8.56 (217)	ø8.81 (224)	ø10.06 (256)
	NUMBER & SIZE OF TOP HOLES	4 TAPPED HOLES 5/8-11+.015	4 HOLES ø.56 (14)	4 HOLES ø.56 (14)
	BOLT CIRCLE	5.0 (127)	7.50 (191)	8.0 (203)
UNIT CHARACTERISTICS	NUMBER & SIZE OF BOTTOM HOLES	4 HOLES ø.56 (14)	4 HOLES ø.56 (14)	4 TAPPED HOLES 3/4-10+.015
	BOLT CIRCLE	7.50 (191)	8.0 (203)	7.0 (178)
CAPSCREW PKG	BOLTS,NUTS & L.W. SIZE	---	1/2-13	1/2-13
	BOLT LENGTH	---	2.0 (51)	2.0 (51)
	No.OF PACKAGES SUPPLIED	---	(1) 097535A	(1) 097535A

SUPPLIED WITH:

- (1) J-099918 RAINSHIELD ø13.0 (330)
- (1) J-309714 RAINSHIELD ø12.0 (305)



INSTALLATION OF SPLIT RAINSHIELD

DWG ID: 4838

NOTE TO PURCHASER
 ALL SALES OF LAPP PRODUCTS ARE
 SUBJECT TO OUR STANDARD TERMS
 AND CONDITIONS AND THE LIMITED
 WARRANTIES THEREUNDER.

