

RELEASE HISTORY

REDRAWN ON CAD

5-21-07 DJB

LAPP
INSULATORS



in. [mm]

PART NUMBER

315372 & -70

DRAWING NUMBER

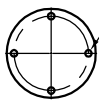
10232

TITLE

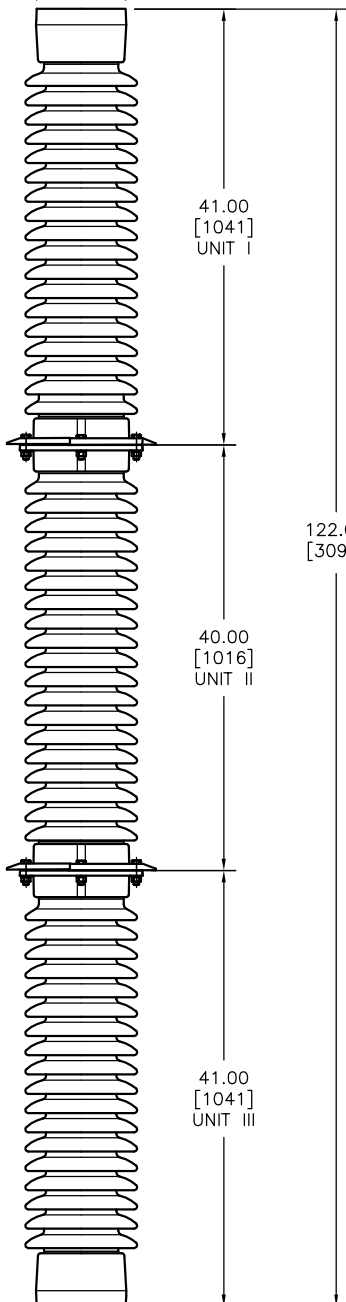
THREE UNIT
STATION POST STACK

REF. TECHNICAL REFERENCE NO. TR-372

(4) TAPPED HOLES
3/4-10 +.015 OVERSIZE
.88 [22] FULL THREAD
ON 7.00 [178] B.C.



8.38
[213]



41.00
[1041]
UNIT I

122.00
[3099]

40.00
[1016]
UNIT II

41.00
[1041]
UNIT III

8.38
[213]

(4) TAPPED HOLES
3/4-10 +.015 OVERSIZE
.88 [22] FULL THREAD
ON 7.00 [178] B.C.



DIMENSIONS

LEAKAGE DISTANCE, in. [mm] 264 [6705]

MECHANICAL VALUES

CANTILEVER STRENGTH, lb. [kN] 1750 [7.8]
TENSION STRENGTH, lb. [kN] 40000 [177.9]
TORSION STRENGTH, in-lb. [kNm] 120000 [13.55]
COMPRESSION STRENGTH, lb. [kN] 100000 [444.8]

ELECTRICAL VALUES

CRITICAL IMPULSE FLASHOVER, POS., kv. 1610
LOW FREQUENCY WET WITHSTAND, kv. 590
IMPULSE WITHSTAND, kv. 1470

RADIO INFLUENCE VOLTAGE

TEST VOLTAGE, RMS TO GROUND, kv 220
MAXIMUM RIV - MICROVOLTS AT 1000 kHz 1000

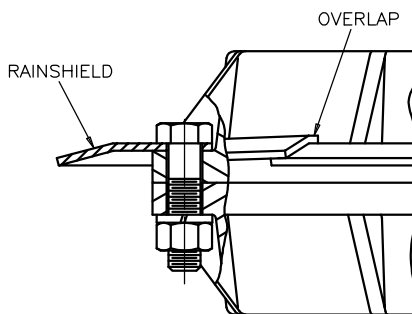
NOTE:

1. ALL FERROUS PARTS ARE HOT DIP GALV. PER ASTM A153

ASSEMBLY NO.	GLAZE COLOR
J-315372	CHOCOLATE
J-315372-70	LIGHT GRAY No.70

	UNIT I	UNIT II	UNIT III
ASSY NO.	J-315372	J-314808	J-314809
	J-315372-70	J-314808A	J-314809A
	J-314810	J-314809A	J-314810A
UNIT CHARACTERISTICS			
PETTICOAT DIAMETER	ø10.50 [267]	ø10.50 [267]	ø10.50 [267]
NUMBER & SIZE OF TOP HOLES	4 TAPPED HOLES 3/4-10+.015	4 HOLES ø.56 [14]	4 HOLES ø.56 [14]
BOLT CIRCLE	7.00 [178]	10.38 [264]	10.38 [264]
UNIT CHARACTERISTICS			
NUMBER & SIZE OF BOTTOM HOLES	4 HOLES ø.56 [14]	4 HOLES ø.56 [14]	4 TAPPED HOLES 3/4-10+.015
BOLT CIRCLE	10.38 [264]	10.38 [264]	7.00 [178]
CAPSCREW PKG			
BOLTS, NUTS & L.W. SIZE	---	1/2-13	1/2-13
BOLT LENGTH	---	2.50 [64]	2.50 [64]
No. OF PACKAGES SUPPLIED	---	(1) J-097535E	(1) J-097535E

SUPPLIED WITH:
(2) J-077267 RAINSHIELD ø14.00 [356]



INSTALLATION OF SPLIT RAINSHIELD

NOTE TO PURCHASER
ALL SALES OF LAPP PRODUCTS ARE
SUBJECT TO OUR STANDARD TERMS
AND CONDITIONS AND THE LIMITED
WARRANTIES THEREUNDER.