

REVISION
REVISED & REDRAWN

DATE
2-1-96

LAPP
INSULATOR COMPANY
LEROY, N.Y. 14482

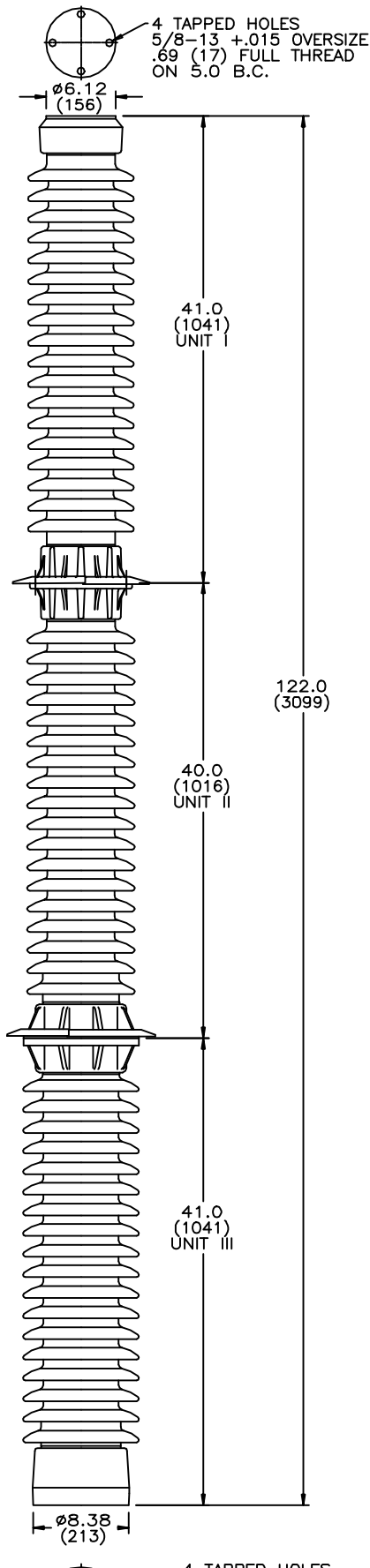


No. SDJ-315373 & -70

TITLE
THREE UNIT
STATION POST STACK

UNITS in. (mm) ORG. DATE 9-23-94 DWN. J. Corona APP.

REF. TECHNICAL REFERENCE No. TR-373



DIMENSIONS

LEAKAGE DISTANCE, in. (mm) 264 (6705)

MECHANICAL VALUES

CANTILEVER STRENGTH, lb. (kN) 1750 (7.8)
TENSION STRENGTH, lb. (kN) 20000 (89.0)
TORSION STRENGTH, in.-lb. (kNm) 40000 (4.52)
COMPRESSION STRENGTH, lb. (kN) 60000 (266.9)

ELECTRICAL VALUES

CRITICAL IMPULSE FLASHOVER, POS., kV. 1610
LOW FREQUENCY WET WITHSTAND, kV. 590
IMPULSE WITHSTAND, kV. 1470

RADIO INFLUENCE VOLTAGE

TEST VOLTAGE, RMS TO GROUND, kV. 220
MAXIMUM RIV - MICROVOLTS AT 1000 kHz 1000

NOTE:

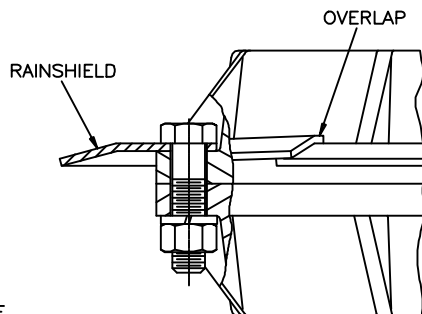
ALL FERROUS PARTS ARE HOT DIP GALV. PER ASTM A153

ASSEMBLY	GLAZE COLOR
J-315373	CHOCOLATE
J-315373-70	LIGHT GRAY No.70

		UNIT I	UNIT II	UNIT III
ASSY. NO.	J-315373	J-318292	J-318293	J-318294
	J-315373-70	J-318292-A	J-318293-A	J-318294-A
UNIT CHARACTERISTICS	PETTYCOAT DIAMETER	ø9.31 (237)	ø9.44 (240)	ø10.19 (259)
	NUMBER & SIZE OF TOP HOLES	4 TAPPED HOLES 5/8-11+.015	4 HOLES ø.56 (14)	4 HOLES ø.56 (14)
	BOLT CIRCLE	5.0 (127)	8.0 (203)	9.0 (229)
UNIT CHARACTERISTICS	NUMBER & SIZE OF BOTTOM HOLES	4 HOLES ø.56 (14)	4 HOLES ø.56 (14)	4 TAPPED HOLES 3/4-10+.015
	BOLT CIRCLE	8.0 (203)	9.0 (229)	7.0 (178)
CAPSCREW PKG	BOLTS, NUTS & L.W. SIZE	---	1/2-13	1/2-13
	BOLT LENGTH	---	2.0 (51)	2.25 (57)
	No. OF PACKAGES SUPPLIED	---	(1) J97535A	(1) J97535G

SUPPLIED WITH:

- (1) J-309714 RAINSHIELD ø12.0 (305)
- (1) J-91659 RAINSHIELD ø13.0 (330)



INSTALLATION OF SPLIT RAINSHIELD

NOTE TO PURCHASER
ALL SALES OF LAPP PRODUCTS ARE
SUBJECT TO OUR STANDARD TERMS
AND CONDITIONS AND THE LIMITED
WARRANTIES THEREUNDER.