

REVISION

DATE



No. SDJ-315379 & -70

ERROR - UNIT I LENGTH READ 43.0 (1092)
AND UNIT II LENGTH READ 41.0 (1067)

11-21-97 DMC

TITLE

THREE UNIT
STATION POST STACK

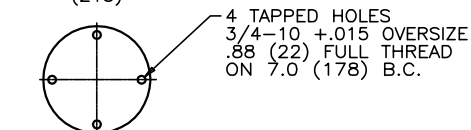
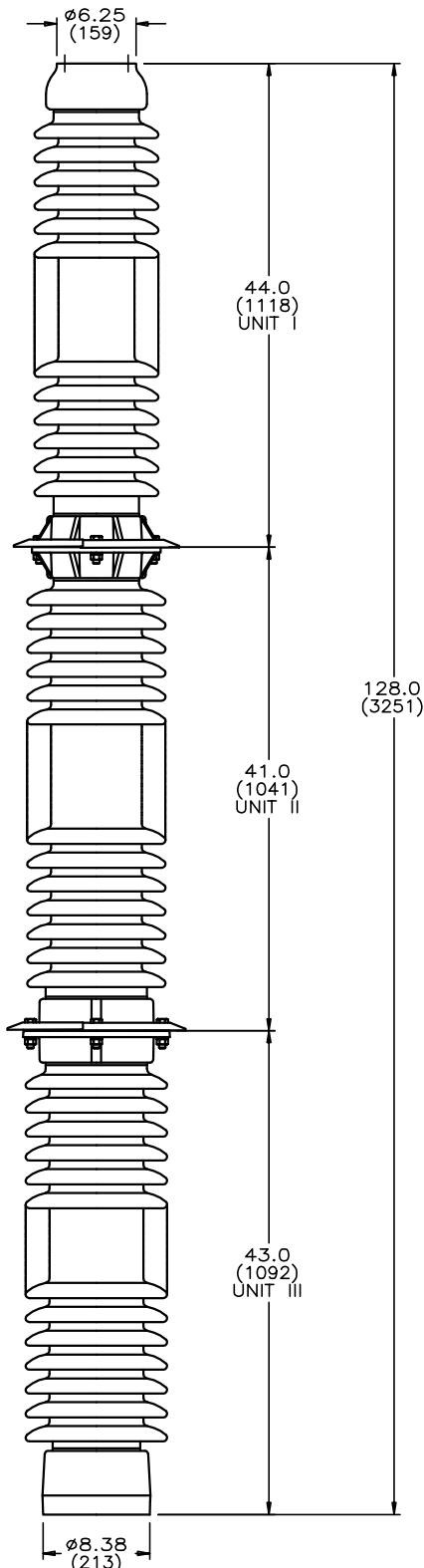
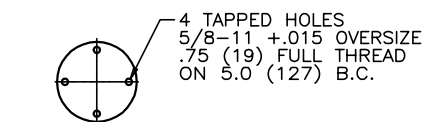
UNITS in. (mm)

ORG. DATE 9-23-94

DWN. J. Corona

APP. Richens

REF. TECHNICAL REFERENCE No. TR-379



LEAKAGE DISTANCE

LEAKAGE DISTANCE, in. (mm) 280 (7112)

MECHANICAL VALUES

CANTILEVER STRENGTH, lb. (kN) 1700 (7.56)
TENSION STRENGTH, lb. (kN) 20000 (88.96)
TORSION STRENGTH, in-lb. (kNm) 40000 (4.52)
COMPRESSION STRENGTH, lb. (kN) 60000 (266.88)

ELECTRICAL VALUES

CRITICAL IMPULSE FLASHOVER, POS., kV. 1710
LOW FREQUENCY WET WITHSTAND, kV. 620
IMPULSE WITHSTAND, kV. 1550

RADIO INFLUENCE VOLTAGE

TEST VOLTAGE, RMS TO GROUND, kV. 318
MAXIMUM RIV - MICROVOLTS AT 1000 kHz 2000

NOTES:

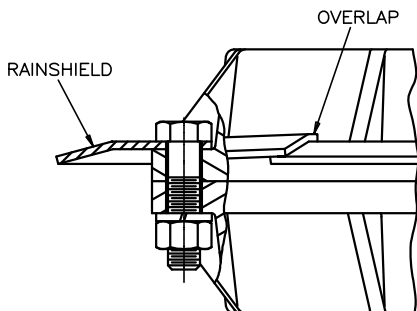
1. DIMENSIONS ARE IN INCHES (MILLIMETERS)
2. ALL FERROUS PARTS ARE HOT DIP GALV. PER ASTM A153

ASSEMBLY	GLAZE COLOR
J-315379	CHOCOLATE
J-315379-70	LIGHT GRAY No.70

	UNIT I	UNIT II	UNIT III
ASSY. No.	J-314726	J-314727	J-314728
	J-314726-A	J-314727-A	J-314728-A
UNIT CHARACTERISTICS			
PETTICOAT DIAMETER	ø10.12 (257)	ø11.25 (286)	ø11.56 (294)
NUMBER & SIZE OF TOP HOLES	4 TAPPED HOLES 5/8-11+.015	4 HOLES ø.56 (14)	4 HOLES ø.56 (14)
BOLT CIRCLE	5.0 (127)	9.0 (229)	10.38 (264)
NUMBER & SIZE OF BOTTOM HOLES	4 HOLES ø.56 (14)	4 HOLES ø.56 (14)	4 TAPPED HOLES 3/4-10+.015
BOLT CIRCLE	9.0 (229)	10.38 (264)	7.0 (178)
CAPSCREW PKG			
BOLTS, NUTS & L.W. SIZE	---	1/2-13	1/2-13
BOLT LENGTH	---	2.0 (51)	2.0 (51)
No. OF PACKAGES SUPPLIED	---	(1) J97535-A	(1) J97535-A

SUPPLIED WITH:

- (1) J-91659 RAINSHIELD ø13.0 (330)
- (1) J-77267 RAINSHIELD ø14.0 (356)



INSTALLATION OF SPLIT RAINSHIELD

NOTE TO PURCHASER
ALL SALES OF LAPP PRODUCTS ARE
SUBJECT TO OUR STANDARD TERMS
AND CONDITIONS AND THE LIMITED
WARRANTIES THEREUNDER.