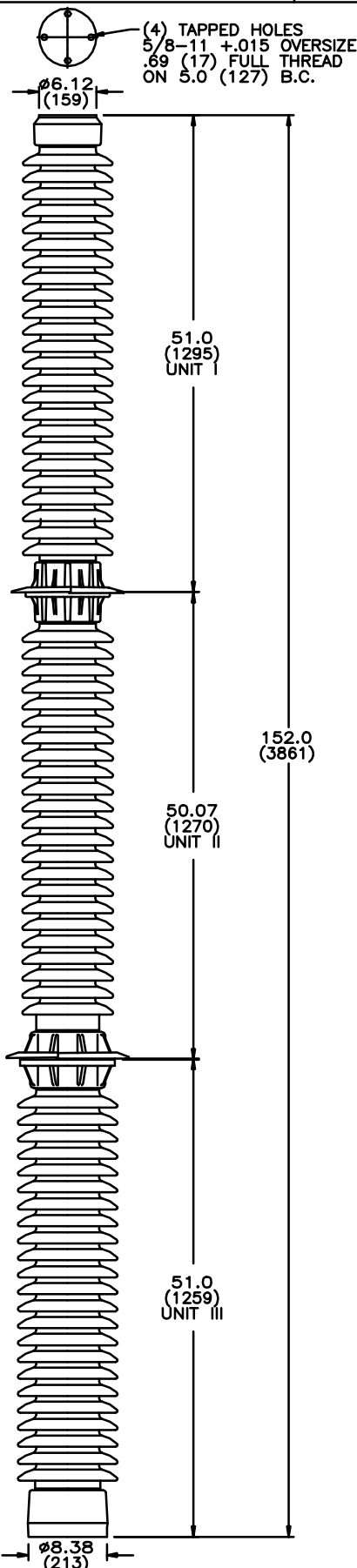


| | | | |
|--------------------------------|--------------|---|----------------------|
| REVISION | DATE | LAPP INSULATOR COMPANY LEROY, N.Y. 14488 | No. SDJ-315391 & -70 |
| TORSION VALUE WAS 40000 (4.52) | 4-29-97 | | |
| REVISED LEAKAGE DISTANCE | 10-23-03 JRC | TITLE THREE UNIT STATION POST STACK | |

| | | | |
|-------------------------------------|------------------|----------------------|------|
| UNITS in. (mm) | ORG.DATE 9-23-94 | DWN. <i>F. Doyle</i> | APP. |
| REF. TECHNICAL REFERENCE No. TR-391 | | | |



DIMENSIONS

| | |
|----------------------------|------------|
| LEAKAGE DISTANCE, in. (mm) | 370 (9398) |
|----------------------------|------------|

MECHANICAL VALUES

| | |
|-----------------------------------|---------------|
| CANTILEVER STRENGTH, lbs. (kN) | 1400 (6.2) |
| TENSION STRENGTH, lbs. (kN) | 20000 (88.9) |
| TORSION STRENGTH, in.-lbs. (kN-m) | 60000 (6.77) |
| COMPRESSION STRENGTH, lbs. (kN) | 60000 (266.9) |

ELECTRICAL VALUES

| | |
|---------------------------------------|------|
| CRITICAL IMPULSE FLASHOVER, POS., kv. | 2000 |
| LOW FREQUENCY WET WITHSTAND, kv. | 710 |
| IMPULSE WITHSTAND, kv. | 1800 |

RADIO INFLUENCE VOLTAGE

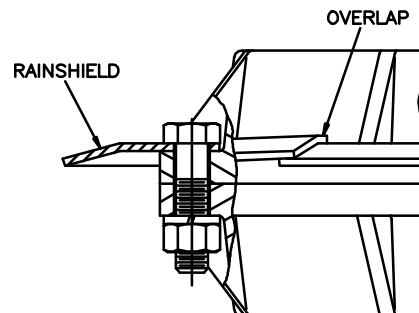
| | |
|--------------------------------------|------|
| TEST VOLTAGE, RMS TO GROUND, kv. | 318 |
| MAXIMUM RIV - MICROVOLTS AT 1000 kHz | 2000 |

NOTE:
ALL FERROUS PARTS ARE HOT DIP GALVANIZED PER ASTM-A153.

| ASSEMBLY | GLAZE COLOR |
|-------------|------------------|
| J-315391 | CHOCOLATE |
| J-315391-70 | LIGHT GRAY No.70 |

| | UNIT I | UNIT II | UNIT III |
|-------------------------------|-----------------------------|-------------------|-----------------------------|
| ASSY. NO. | J-315391 | J-318258 | J-318260 |
| | J-318258 | J-318260 | J-318262 |
| | J-315391-70 | J-318258-A | J-318260-A |
| | J-318260-A | J-318262-A | J-318262-A |
| UNIT CHARACTERISTICS | | | |
| PETTICOAT DIAMETER | ø9.62 (244) | ø9.75 (248) | ø10.62 (270) |
| NUMBER & SIZE OF TOP HOLES | 4 TAPPED HOLES 5/8-11 +.015 | 4 HOLES ø.56 (14) | 4 HOLES ø.56 (14) |
| BOLT CIRCLE | 5.0 (127) | 8.0 (203) | 9.0 (229) |
| NUMBER & SIZE OF BOTTOM HOLES | 4 HOLES ø.56 (14) | 4 HOLES ø.56 (14) | 4 TAPPED HOLES 3/4-10 +.015 |
| BOLT CIRCLE | 8.0 (203) | 9.0 (229) | 7.0 (178) |
| CAPSCREW PKG | | | |
| BOLTS, NUTS & L.W. SIZE | --- | 1/2-13 | 1/2-13 |
| BOLT LENGTH | --- | 2.0 (51) | 2.25 (57) |
| No. OF PACKAGES SUPPLIED | --- | (1) J97535A | (1) J97535G |

SUPPLIED WITH (1) J-309714 RAINSHIELD ø12.0 (330)
(1) J-91659 RAINSHIELD ø13.0 (356)



INSTALLATION OF SPLIT RAINSHIELD

NOTE TO PURCHASER
ALL SALES OF LAPP PRODUCTS ARE
SUBJECT TO OUR STANDARD TERMS
AND CONDITIONS AND THE LIMITED
WARRANTIES THEREUNDER.