

REVISION

DATE

**LAPP** LAPP INSULATOR Co.  
LEROY, N.Y. 14482



No. SDJ-317004 & -70

DATE 3-31-95

SCALE 1/2

TITLE SOLID PEDESTAL POST

DWN. *D. Connolly*

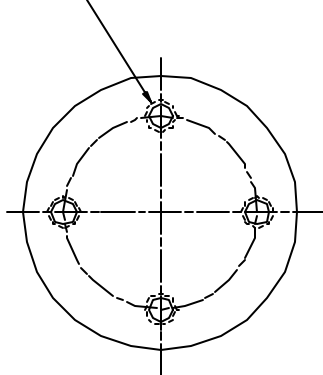
CHK.

APP.

BK.No. 84B

REF. TR4

4 TAPPED HOLES  
1/2-13 +.015 OVERSIZE  
.62 (16) FULL THREAD  
ON 3.0 (76) BOLT CIRCLE



ELECTRICAL PATH DISTANCE

LEAKAGE DISTANCE, IN. (mm) 12.0 (305)

MECHANICAL VALUES

CANTILEVER STRENGTH, LBS. (kN)

UPRIGHT 2000 (8.89)

INVERTED 1000 (4.45)

TENSION STRENGTH, LBS. (kN) 5000 (22.24)

TORSION STRENGTH, IN.-LBS. (Nm) 7000 (790.30)

COMPRESSION STRENGTH, LBS. (kN) 10000 (44.48)

ELECTRICAL VALUES

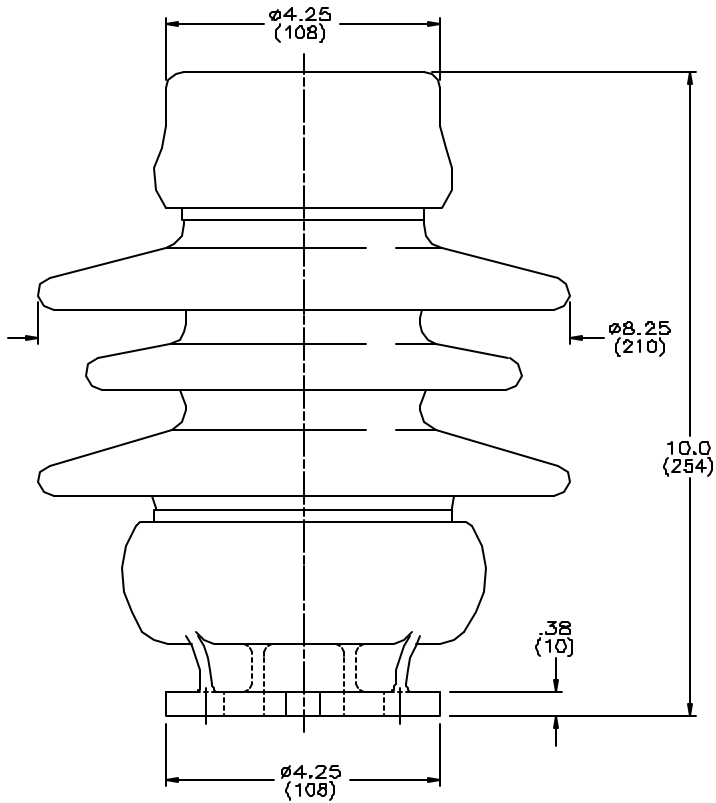
CRITICAL IMPULSE FLASHOVER, POS., KV. 125

LOW FREQUENCY WET WITHSTAND, KV. 45

IMPULSE WITHSTAND, KV. 110

NOTES:

1. DIMENSIONS ARE IN INCHES {MILLIMETERS}
2. ALL FERROUS PARTS ARE HOT DIP GALV. PER ASTM A153



ASSEMBLY NO.	GLAZE COLOR
J-317004	CHOCOLATE
J-317004-70	LIGHT GRAY No.70

4 SLOTS  
.53 (13) WIDE ON  
3.0 (76) BOLT CIRCLE

