


REVISION REDESIGNED - PETTICOAT O.D. WAS 10.00 (254)	DATE 4-2-98 JRC	 LAPP INSULATOR COMPANY LEROY, N.Y. 14486	 No. SDJ-317007 & -70	TITLE PEDESTAL POST
UNITS in. (mm)				
REF. TECHNICAL REFERENCE No. TR7				

DIMENSIONS
LEAKAGE DISTANCE, in. (mm) 20 (508)

MECHANICAL VALUES
CANTILEVER STRENGTH
UPRIGHT, lb. (kN) 2000 (8.9)
UNDERHUNG, lb. (kN) 1000 (4.4)
TENSION STRENGTH, lb. (kN) 5000 (22.2)
TORSION STRENGTH, In-lb. (Nm) 8000 (903)
COMPRESSION STRENGTH, lb. (kN) 10000 (44.5)

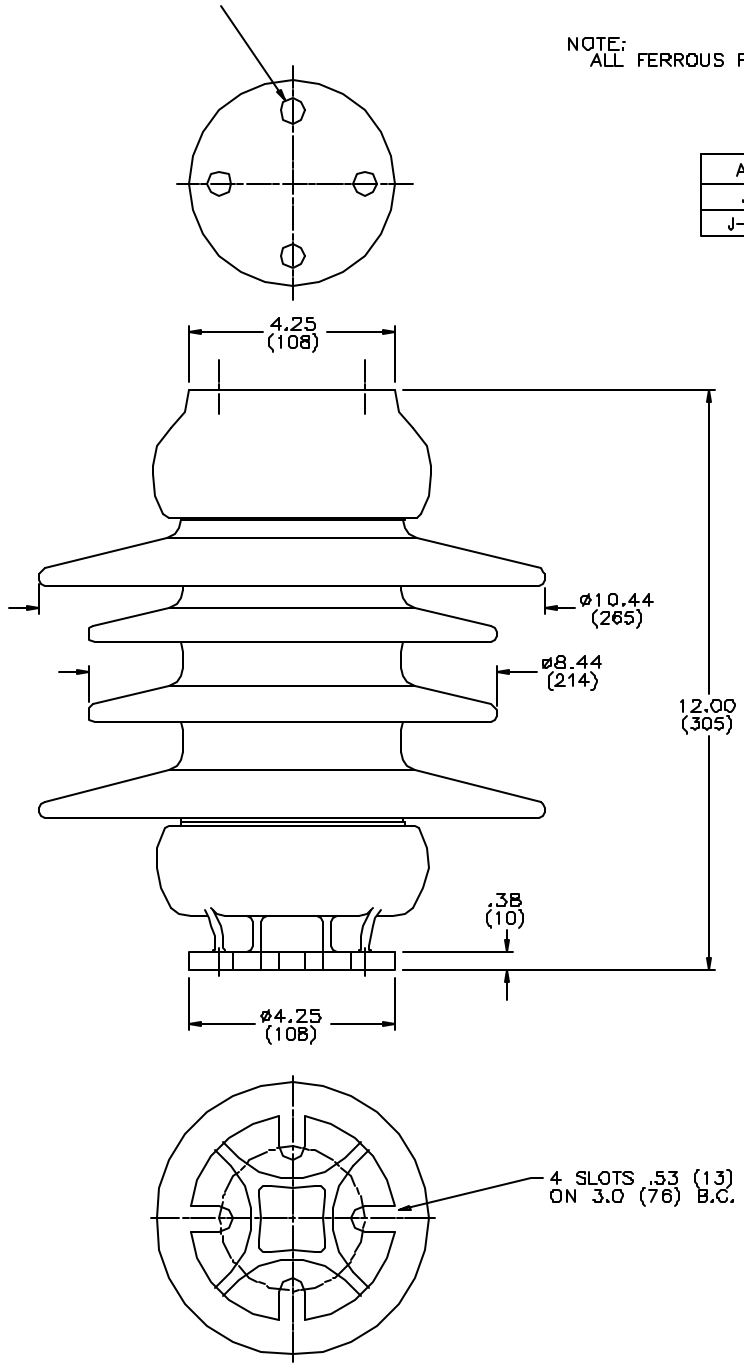
ELECTRICAL VALUES
CRITICAL IMPULSE FLASHOVER, POS., kV. 170
LOW FREQUENCY WET WITHSTAND, kV. 60
IMPULSE WITHSTAND, kV. 150

RADIO INFLUENCE VOLTAGE
TEST VOLTAGE, RMS TO GROUND, kV. 15
MAXIMUM RIV - MICROVOLTS AT 1000 kHz 100

4 TAPPED HOLES
1/2-13 +.015 OVERSIZE
.62 (16) FULL THREAD
ON 3.0 (76) B.C.

NOTE:
ALL FERROUS PARTS ARE HOT DIP GALV. PER ASTM A153

ASSEMBLY	GLAZE COLOR
J-317007	CHOCOLATE
J-317007-70	LIGHT GRAY No.70



NOTE TO PURCHASER
ALL SALES OF LAPP PRODUCTS ARE
SUBJECT TO OUR STANDARD TERMS
AND CONDITIONS AND THE LIMITED
WARRANTIES THEREUNDER.