

RELEASE HISTORY

(a)	DRAWING CREATED	03-04-96 JRC
(b)	REDRAWN	12-19-07 JRC



PART NUMBER	317010 SERIES
in. [mm]	DRAWING NUMBER 10776
TITLE	
PEDESTAL POST	

REF. TECHNICAL REFERENCE No. TR10

DIMENSIONS

LEAKAGE DISTANCE, in. [mm] 28 [711]

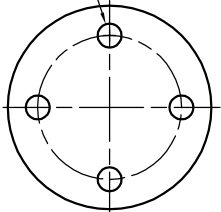
MECHANICAL VALUES

CANTILEVER STRENGTH, lb. [kN]
 UPRIGHT 2000 [8.9]
 INVERTED 1000 [4.4]
 TENSION STRENGTH, lb. [kN] 7000 [31.1]
 TORSION STRENGTH, in-lb. [kNm] 10000 [1.13]
 COMPRESSION STRENGTH, lb. [kN] 15000 [66.7]

ELECTRICAL VALUES

CRITICAL IMPULSE FLASHOVER, POS., kV. 225
 LOW FREQUENCY WET WITHSTAND, kV. 80
 IMPULSE WITHSTAND, kV. 200

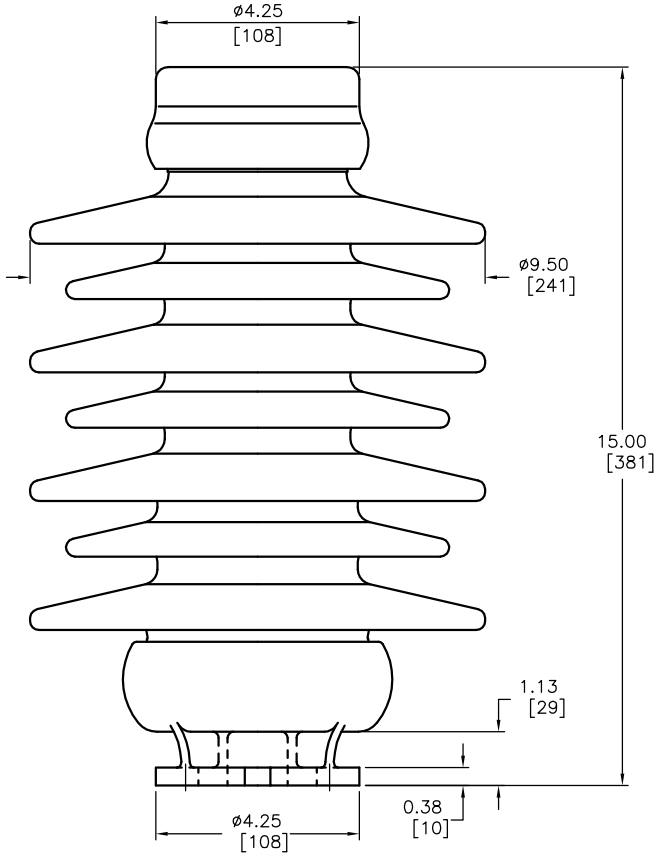
4 TAPPED HOLES
 1/2-13 +.015 OVERSIZE
 .63 [16] FULL THREAD
 ON 3.00 [76]
 BOLT CIRCLE



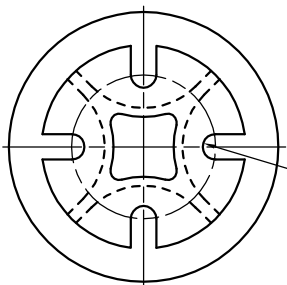
NOTE:

ALL FERROUS PARTS ARE HOT DIP GALV. PER ASTM A153

ASSEMBLY NO.	GLAZE COLOR
J-317010	CHOCOLATE
J-317010-70	LIGHT GRAY No.70



1.13 [29]



4 SLOTS
 .56 [14] WIDE
 ON 3.00 [76]
 BOLT CIRCLE

NOTE TO PURCHASER
 ALL SALES OF LAPP PRODUCTS ARE
 SUBJECT TO OUR STANDARD TERMS
 AND CONDITIONS AND THE LIMITED
 WARRANTIES THEREUNDER.