

REVISION

DATE



LAPP INSULATOR Co.  
LEROY, N.Y. 14482



No. SDJ-317013 & -70

DATE 3-31-95

SCALE 3/8

TITLE SOLID PEDESTAL POST

DWN. *D. Connelly*

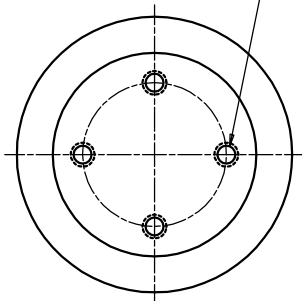
CHK.

APP.

BK.No. 84E

REF. TR13

4 TAPPED HOLES  
1/2-13 +.015 OVERSIZE  
.62 (16) FULL THREAD  
ON 3.0 (76) BOLT CIRCLE



**ELECTRICAL PATH DISTANCE**

LEAKAGE DISTANCE, in. (mm) 45 (1143)

**MECHANICAL VALUES**

CANTILEVER STRENGTH, lbs. (kN)  
 UPRIGHT 2000 (8.9)  
 INVERTED 1000 (4.4)  
 TENSION STRENGTH, LBS. (kN) 8000 (35.6)  
 TORSION STRENGTH, IN.-LBS. (kNm) 12000 (1.4)  
 COMPRESSION STRENGTH, LBS. (kN) 15000 (66.7)

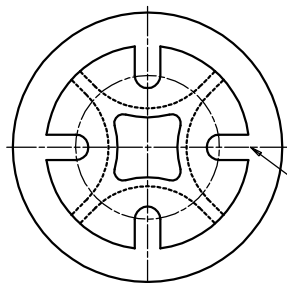
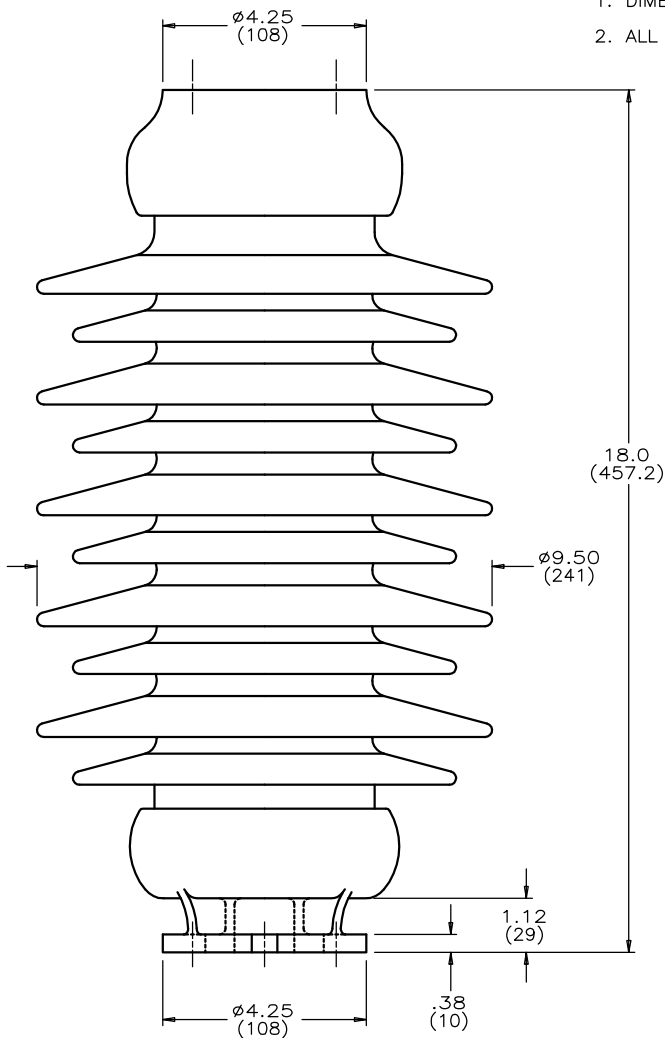
**ELECTRICAL VALUES**

CRITICAL IMPULSE FLASHOVER, POS., kV. 280  
 LOW FREQUENCY WET WITHSTAND, kV. 100  
 IMPULSE WITHSTAND, kV. 250

**NOTES:**

1. DIMENSIONS ARE IN INCHES (MILLIMETERS)
2. ALL FERROUS PARTS ARE HOT DIP GALV. PER ASTM A153

ASSEMBLY NO.	GLAZE COLOR
J-317013	CHOCOLATE
J-317013-70	LIGHT GRAY No.70



4 SLOTS  
.56 (14) WIDE ON  
3.0 (76) BOLT CIRCLE

NOTE TO PURCHASER  
ALL SALES OF LAPP PRODUCTS ARE  
SUBJECT TO OUR STANDARD TERMS  
AND CONDITIONS AND THE LIMITED  
WARRANTIES THEREUNDER.