



REVISION REDRAWN, REVISED CAP PROFILE	DATE 5-15-00 JRC		 No. SDJ-317044 & -70
UNITS in. (mm)		ORG. DATE 10-14-94	DWN. J. Gorman
		APP. Powell	
REF. TECHNICAL REFERENCE No. TR-44			

**DIMENSIONS**

LEAKAGE DISTANCE, in. (mm) 14.0 (355.6)

**MECHANICAL VALUES**

**CANTILEVER STRENGTH**

UPRIGHT, lb. (kN) 4000 (17.8)

INVERTED, lb. (kN) 3000 (13.3)

TENSION STRENGTH, lb. (kN) 10000 (44.5)

TORSION STRENGTH, in-lb. (kNm) 14000 (1.58)

COMPRESSION STRENGTH, lb. (kN) 20000 (89.0)

**ELECTRICAL VALUES**

CRITICAL IMPULSE FLASHOVER, POS., kV. 125

LOW FREQUENCY WET WITHSTAND, kV. 45

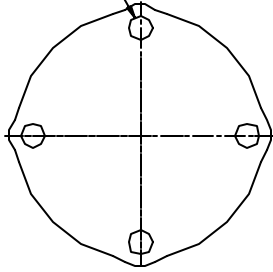
IMPULSE WITHSTAND, kV. 110

**RADIO INFLUENCE VOLTAGE**

TEST VOLTAGE, RMS TO GROUND, kV. 10

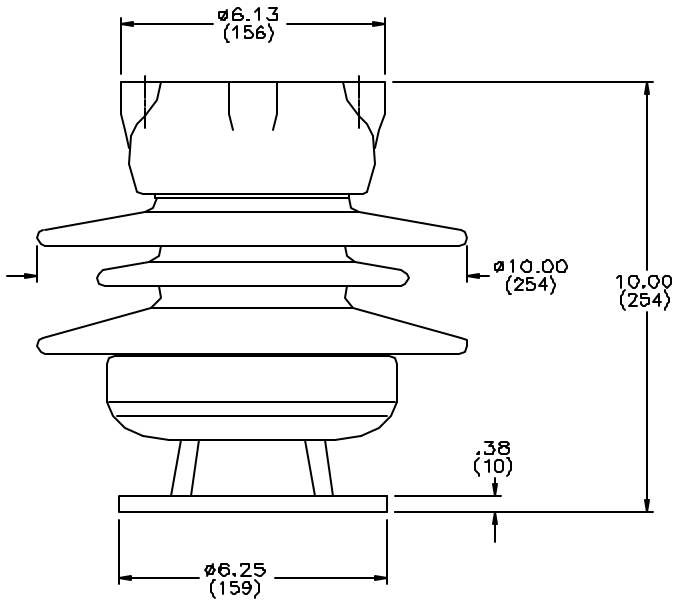
MAXIMUM RIV - MICROVOLTS AT 1000 kHz 50

4 TAPPED HOLES  
5/8-11 +.015 OVERSIZE  
.75 (19) FULL THREAD  
ON 5.00 (127) B.C.

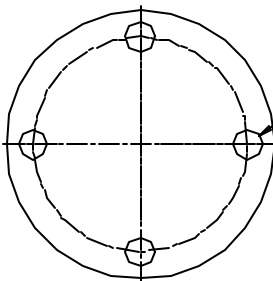


1. DIMENSIONS ARE IN INCHES (MILLIMETERS)
2. ALL FERROUS PARTS ARE HOT DIP GALV. PER ASTM A153

ASSEMBLY	GLAZE COLOR
J-317044	CHOCOLATE
J-317044-70	LIGHT GRAY No.70



4 HOLES  $\phi$ .89 (17)  
ON 5.00 (127) B.C.



NOTE TO PURCHASER  
ALL SALES OF LAPP PRODUCTS ARE  
SUBJECT TO OUR STANDARD TERMS  
AND CONDITIONS AND THE LIMITED  
WARRANTIES THEREUNDER.