

No. SDJ-317046 & -70



TITLE

PEDESTAL POST

DATE

REVISION

INSULATOR COMPANY
LABOY, N.Y. 14468

UNITS in. (mm) ORG. DATE 12-7-94 DWN. J. Connolly APP.

REF. TECHNICAL REFERENCE No. TR46

ASSEMBLY GLAZE TABLE

UNIT NO.	GLAZE COLOR
J-317046	CHOCOLATE
J-317046-70	LIGHT GRAY No.70

DIMENSIONS

LEAKAGE DISTANCE, in. (mm) 18.0 (457)

MECHANICAL VALUES

CANTILEVER STRENGTH, lb. (kN)

UPRIGHT	4000 (17.8)
INVERTED	3000 (13.3)

TENSION STRENGTH, lb. (kN) 10000 (44.5)

TORSION STRENGTH, in-lb. (kNm) 16000 (1.81)

COMPRESSION STRENGTH, lb. (kN) 20000 (89.0)

ELECTRICAL VALUES

CRITICAL IMPULSE FLASHOVER, POS., kV. 170

LOW FREQUENCY WET WITHSTAND, kV. 60

IMPULSE WITHSTAND, kV. 150

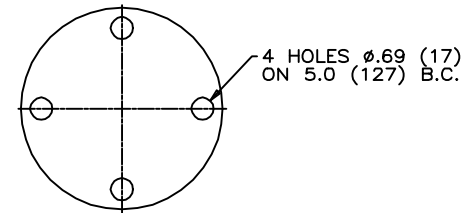
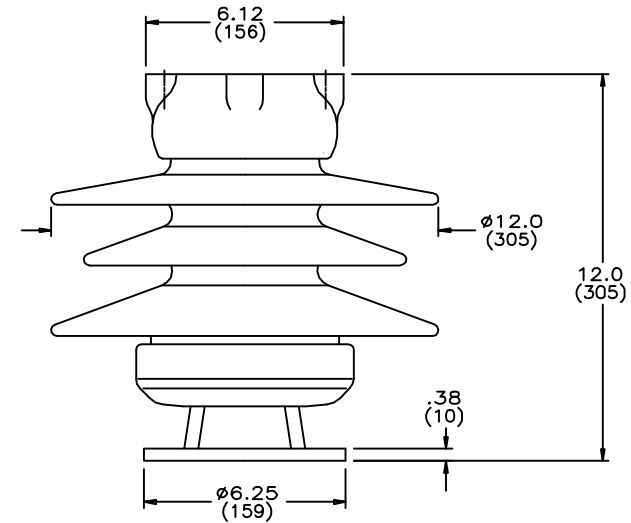
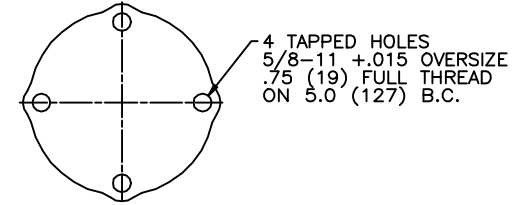
RADIO INFLUENCE VOLTAGE

TEST VOLTAGE, RMS TO GROUND, kV 15

MAXIMUM RIV - MICROVOLTS AT 1000 kHz 100

NOTES:

1. DIMENSIONS ARE IN INCHES (MILLIMETERS).
2. ALL FERROUS PARTS ARE HOT DIP GALVANIZED.
3. PART No. OF UNIT STAMPED ON TOP HARDWARE.



NOTE TO PURCHASER
ALL SALES OF LAPP PRODUCTS ARE
SUBJECT TO OUR STANDARD TERMS
AND CONDITIONS AND THE LIMITED
WARRANTIES THEREUNDER.