

**DIMENSIONS**

LEAKAGE DISTANCE, in. (mm)	432 (10973)
----------------------------	-------------

**MECHANICAL VALUES**

CANTILEVER STRENGTH, lbs. (kN)	2000 (8.9)
TENSION STRENGTH, lbs. (kN)	20000 (89.0)
TORSION STRENGTH, in.-lbs. (kN-m)	60000 (6.77)
COMPRESSION STRENGTH, lbs. (kN)	60000 (266.9)

**ELECTRICAL VALUES**

CRITICAL IMPULSE FLASHOVER, POS., kv.	2250
LOW FREQUENCY WET WITHSTAND, kv.	830
IMPULSE WITHSTAND, kv.	2050

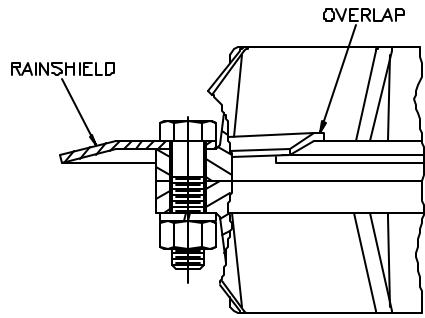
**NOTES**

1. DIMENSIONS ARE IN INCHES (MILLIMETERS).
2. ALL FERROUS PARTS ARE HOT DIP GALVANIZED PER ASTM-A153.

ASSEMBLY	GLAZE COLOR
J-318032	CHOCOLATE
J-318032-70	LIGHT GRAY No.70

	UNIT I	UNIT II	UNIT III	UNIT IV
<b>ASSY. No.</b>	J-318032	J-318033	J-318034	J-318035
	J-318032-70	J-318033A	J-318034A	J-318035A
<b>UNIT CHARACTERISTICS</b>				
PETTICOAT DIAMETER	Ø10.75 (273)	Ø11.12 (283)	Ø11.88 (302)	Ø12.50 (318)
NUMBER & SIZE OF TOP HOLES	4 TAPPED HOLES 5/8-11 ±.015	4 HOLES Ø.56 (14)	4 HOLES Ø.56 (14)	4 HOLES Ø.69 (17)
BOLT CIRCLE	5.0 (127)	9.0 (229)	10.38 (264)	12.0 (305)
NUMBER & SIZE OF BOTTOM HOLES	4 HOLES Ø.56 (14)	4 HOLES Ø.56 (14)	4 HOLES Ø.69 (17)	4 HOLES Ø.88 (22)
BOLT CIRCLE	9.0 (229)	10.38 (264)	12.0 (305)	14.0 (356)
<b>CAPSCREW PKG</b>				
BOLTS, NUTS & L.W. SIZE	—	1/2-13	1/2-13	5/8-11
BOLT LENGTH	—	2.0 (51)	2.25 (57)	2.75 (70)
No. OF PACKAGES SUPPLIED	—	(1) J-097535A	(1) J-097535G	(1) J-097535M

- SUPPLIED WITH:**
- (1) J-091659 RAINSHIELD Ø13.0 (330)
  - (1) J-077267 RAINSHIELD Ø14.0 (356)
  - (1) J-091660 RAINSHIELD Ø16.0 (406)
  - (1) J-307109 CORONA RING Ø21.0 (533)



**INSTALLATION OF SPLIT RAINSHIELD**

NOTE TO PURCHASER  
ALL SALES OF LAPP PRODUCTS ARE  
SUBJECT TO OUR STANDARD TERMS  
AND CONDITIONS AND THE LIMITED  
WARRANTIES THEREUNDER.