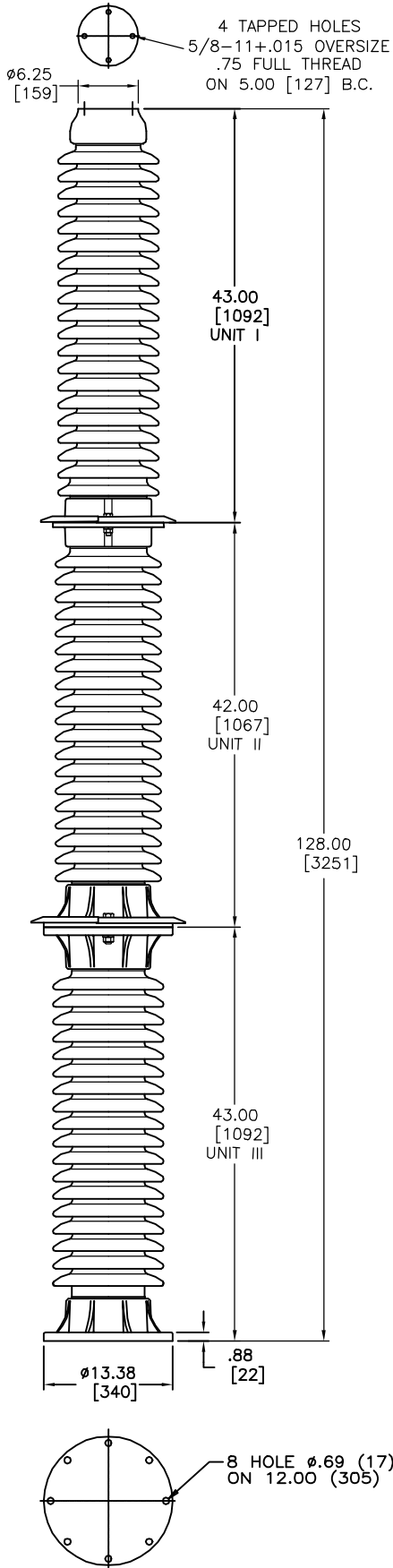


REVISION HISTORY	DATE
DRAWING / DESIGN CREATED	10-03-95
REVISED, ADDED RAINSHIELDS	5-31-96
BOTTOM HDW HAD 4 HOLES $\phi$ .81(21) ON 14.0(356) B.C.	2-13-98 JRC
RAINSHIELD J-77267 WAS J-308446	2-16-98 JRC
REVISED BOTTOM UNIT	08-31-01 KC
REVERTED BOTTOM UNIT TO 12.00 B.C.	12-02-02 JRC

**LAPP**  
INSULATOR COMPANY  
LEROY, N.Y. 14482  
(716) 768-6221  
SUB-STATION DIVISION  
REF.

BASE PART NUMBER  
**318059 (SERIES)**  
(SEE TABLE FOR VERSIONS)  
TITLE  
STATION POST ASSEMBLY



**DIMENSIONS**

LEAKAGE DISTANCE, in. (mm) 305 (7747)

**MECHANICAL VALUES**

CANTILEVER STRENGTH, lb. (kN) 2500 (11.1)  
TENSION STRENGTH, lb. (kN) 25000 (111.2)  
TORSION STRENGTH, in.lb. (kNm) 60000 (6.8)  
COMPRESSION STRENGTH, lb. (kN) 60000 (266.9)

**ELECTRICAL VALUES**

CRITICAL IMPULSE FLASHOVER, POS., kV. 1710  
LOW FREQUENCY WET WITHSTAND, kV. 620  
IMPULSE WITHSTAND, kV. 1550

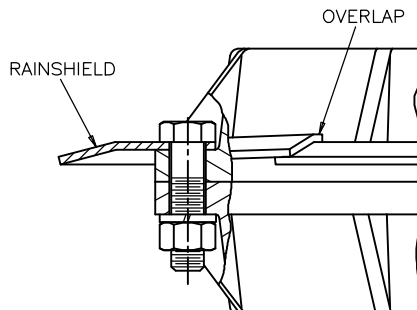
**NOTES:**

- ALL FERROUS PARTS ARE HOT DIP GALV. PER ASTM A153
- APPROXIMATE WEIGHT IS 815 lb.

ASSEMBLY	GLAZE COLOR
J-318059	CHOCOLATE
J-318059-70	LIGHT GRAY No.70

	UNIT I	UNIT II	UNIT III
ASSY.No	J-318059	J-318060	J-318061
	J-318059-70	J-318060A	J-318061A
	J-318062	J-318062A	
UNIT CHARACTERISTICS	PETTICOAT DIAMETER	$\phi$ 10.50 (267)	$\phi$ 11.00 (279)
	NUMBER & SIZE OF TOP HOLES	4 TAPPED HOLES 5/8-11+.015	4 HOLES $\phi$ .56 (14)
	BOLT CIRCLE	5.00 (127)	10.38 (264)
UNIT CHARACTERISTICS	NUMBER & SIZE OF BOTTOM HOLES	4 HOLES $\phi$ .56 (14)	4 HOLES $\phi$ .69 (18)
	BOLT CIRCLE	10.38 (264)	12.00 (305)
			12.00 (305)
CAPSCREW PKG	BOLTS,NUTS & L.W. SIZE	----	1/2-13
	BOLT LENGTH	----	2.00 (51)
	No.OF PACKAGES SUPPLIED	----	(1) J-097535A

SUPPLIED WITH: (1) J-077267 RAINSHIELDS  $\phi$ 14.00 (356)  
SUPPLIED WITH: (1) J-091660 RAINSHIELDS  $\phi$ 12.00 (305)



INSTALLATION OF SPLIT RAINSHIELD

NOTE TO PURCHASER  
ALL SALES OF LAPP PRODUCTS ARE  
SUBJECT TO OUR STANDARD TERMS  
AND CONDITIONS AND THE LIMITED  
WARRANTIES THEREUNDER.