

REVISION

DATE

LAPP
INSULATOR COMPANY
LEROY, N.Y. 14466



No.

SDJ-318453 & -70

TITLE

STATION POST ASSEMBLY

UNITS in. (mm)

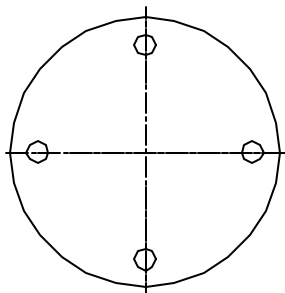
ORG. DATE 4-11-96

DWN. *S. Doyle*

APP.

Smith

REF. J-34536



DIMENSIONS

LEAKAGE DISTANCE, in. (mm) 24.0 (610)

MECHANICAL VALUES

CANTILEVER STRENGTH, lb. (kN) 8000 (35.6)

TENSION STRENGTH, lb. (kN) 28000 (124.5)

TORSION STRENGTH, In-lb. (kNm) 40000 (4.52)

COMPRESSION STRENGTH, lb. (kN) 40000 (177.9)

ELECTRICAL VALUES

CRITICAL IMPULSE FLASHOVER, PDS., kV. 170

LOW FREQUENCY WET WITHSTAND, kV. 60

LIGHTNING IMPULSE WITHSTAND, kV. 150

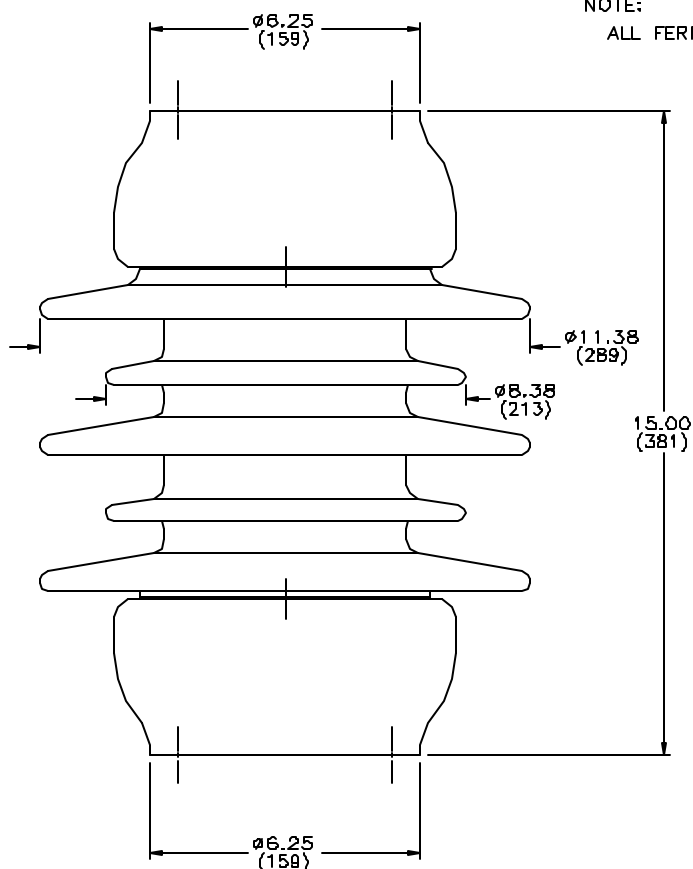
RADIO INFLUENCE VOLTAGE

TEST VOLTAGE, RMS TO GROUND, kV. 15

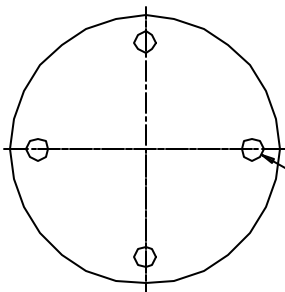
MAXIMUM RIV - MICROVOLTS AT 1000 kHz 100

NOTE:

ALL FERROUS PARTS ARE HOT DIP GALV. PER ASTM A153



ASSEMBLY	GLAZE COLOR
J-318453	CHOCOLATE
J-318453-70	LIGHT GRAY No.70



4 TAPPED HOLES
5/8-11 +.015 OVERSIZE
.75 (19) FULL THREAD
ON 5.0 (127) B.C.
BOTH ENDS

NOTE TO PURCHASER
ALL SALES OF LAPP PRODUCTS ARE
SUBJECT TO OUR STANDARD TERMS
AND CONDITIONS AND THE LIMITED
WARRANTIES THEREUNDER.