

REVISION

DATE

LAPP
INSULATOR COMPANY
LEROY, N.Y. 14482



No.

SDJ-318455 & -70

TITLE

STATION POST ASSEMBLY

UNITS in. (mm)

ORG.DATE 4-11-96

DWN. *F. Doyle*

APP.

Smith

REF. J-34537

DIMENSIONS

LEAKAGE DISTANCE, in. (mm) 37.0 (940)

MECHANICAL VALUES

CANTILEVER STRENGTH, lb. (kN) 8000 (35.6)

TENSION STRENGTH, lb. (kN) 28000 (124.5)

TORSION STRENGTH, in-lb. (kNm) 40000 (4.52)

COMPRESSION STRENGTH, lb. (kN) 60000 (267)

ELECTRICAL VALUES

CRITICAL IMPULSE FLASHOVER, POS., kV. 225

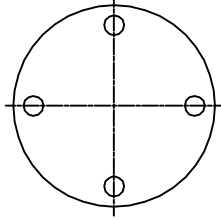
LOW FREQUENCY WET WITHSTAND, kV. 80

LIGHTNING IMPULSE WITHSTAND, kV. 200

RADIO INFLUENCE VOLTAGE

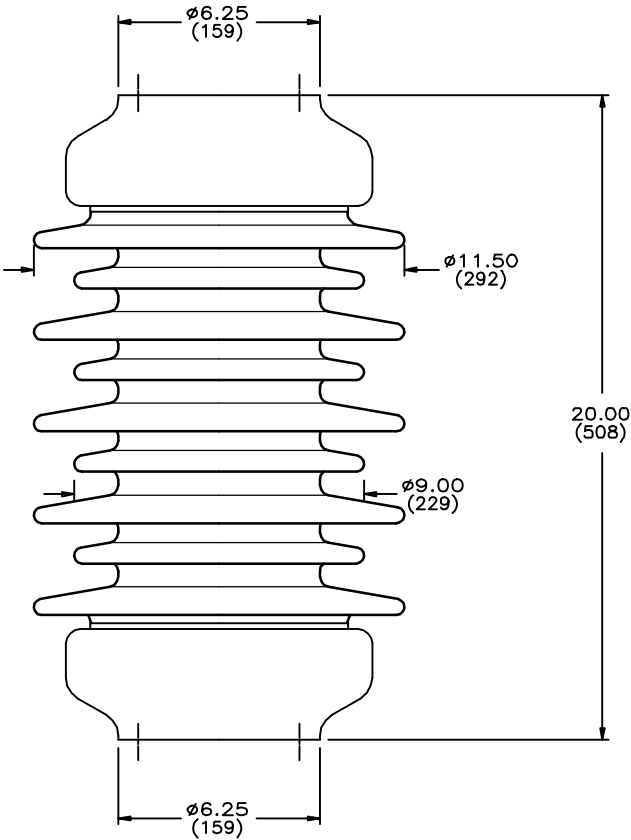
TEST VOLTAGE, RMS TO GROUND, kV. 22

MAXIMUM RIV - MICROVOLTS AT 1000 kHz 100

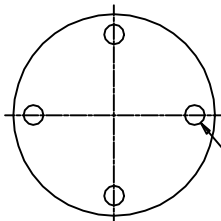


NOTE:

ALL FERROUS PARTS ARE HOT DIP GALV. PER ASTM A153



ASSEMBLY	GLAZE COLOR
J-318455	CHOCOLATE
J-318455-70	LIGHT GRAY No.70



4 TAPPED HOLES
5/8-11 +.015 OVERSIZE
.75 (19) FULL THREAD
ON 5.0 (127) B.C.
BOTH ENDS