

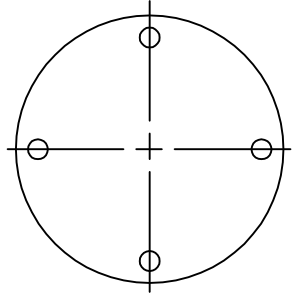
RELEASE HISTORY

(a)	DRAWING / DESIGN CREATED	04-12-96 FTD
(b)	PORC O.D. WAS 10.81, L.D. WAS 43"	07-11-08 JRC



INCHES	PART NUMBER	318459 SERIES
	DRAWING NUMBER	5512
TITLE		
STATION POST ASSEMBLY		

REF.



**DIMENSIONS**

LEAKAGE DISTANCE, in. (mm)	50	(1270)
----------------------------	----	--------

**MECHANICAL VALUES**

CANTILEVER STRENGTH, lb. (kN)	8000	(35.6)
TENSION STRENGTH, lb. (kN)	40000	(177.9)
TORSION STRENGTH, in-lb. (kNm)	90000	(7.96)
COMPRESSION STRENGTH, lb. (kN)	120000	(533.8)

**ELECTRICAL VALUES**

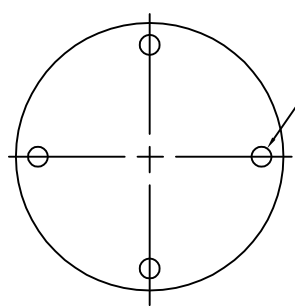
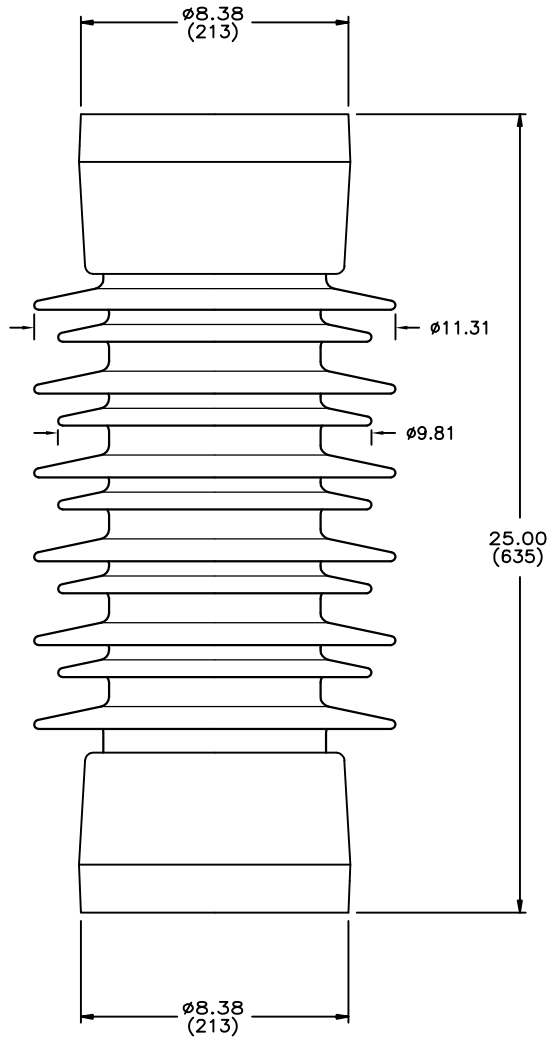
CRITICAL IMPULSE FLASHOVER, POS., kV.	280
LOW FREQUENCY WET WITHSTAND, kV.	100
LIGHTNING IMPULSE WITHSTAND, kV.	250

**RADIO INFLUENCE VOLTAGE**

TEST VOLTAGE, RMS TO GROUND, kV.	30
MAXIMUM RIV - MICROVOLTS AT 1000 kHz	200

NOTE:  
ALL FERROUS PARTS ARE HOT DIP GALV. PER ASTM A153

ASSEMBLY	GLAZE COLOR
J-318459	CHOCOLATE
J-318459-70	LIGHT GRAY No.70



4 TAPPED HOLES  
3/4-10 +.015 OVERSIZE  
.88 (22) FULL THREAD  
ON 7.00 (178) B.C.  
BOTH ENDS

NOTE TO PURCHASER  
ALL SALES OF LAPP PRODUCTS ARE  
SUBJECT TO OUR STANDARD TERMS  
AND CONDITIONS AND THE LIMITED  
WARRANTIES THEREUNDER.