

REVISION	DATE	LAPP LAPP INSULATOR Co. LIBROY, N.Y. 14482	No. SDJ-319019 & -70
UNITS WERE J312997 & -70	5-11-95		
INSULATOR O.D. WAS 17.00" (432 mm)	10-8-00 KG	DATE 1-30-95	SCALE 1/8
		DWN. <i>D. Connolly</i>	CHK.
		APP.	BK.No. 84T1
		REF. LAPP (STACKING) GAP & PIN REPLACEMENT FOR TR 19 DWG # 6107	

CATALOG NO.	UNITS	GLAZE COLOR
J-319019	J-319140	CHOCOLATE
J-319019-70	J-319140-70	LIGHT GRAY No. 70

DIMENSIONS

LEAKAGE DISTANCE, in. (mm) 99 (2515)

MECHANICAL VALUES

CANTILEVER STRENGTH:

UPRIGHT, lbs. (kN) 1700 (7.6)
 UNDERHUNG, lbs. (kN) 1470 (6.5)
 TENSION STRENGTH, lbs. (kN) 20000 (88.9)
 TORSION STRENGTH, in.-lbs. (k-Nm) 40000 (4.5)
 COMPRESSION STRENGTH, lbs. (kN) 60000 (266.9)

ELECTRICAL VALUES

CRITICAL IMPULSE FLASHOVER, POS. KV. 610
 LOW FREQUENCY WET WITHSTAND, KV 230*
 IMPULSE WITHSTAND, KV. 550*

RADIO INFLUENCE VOLTAGE

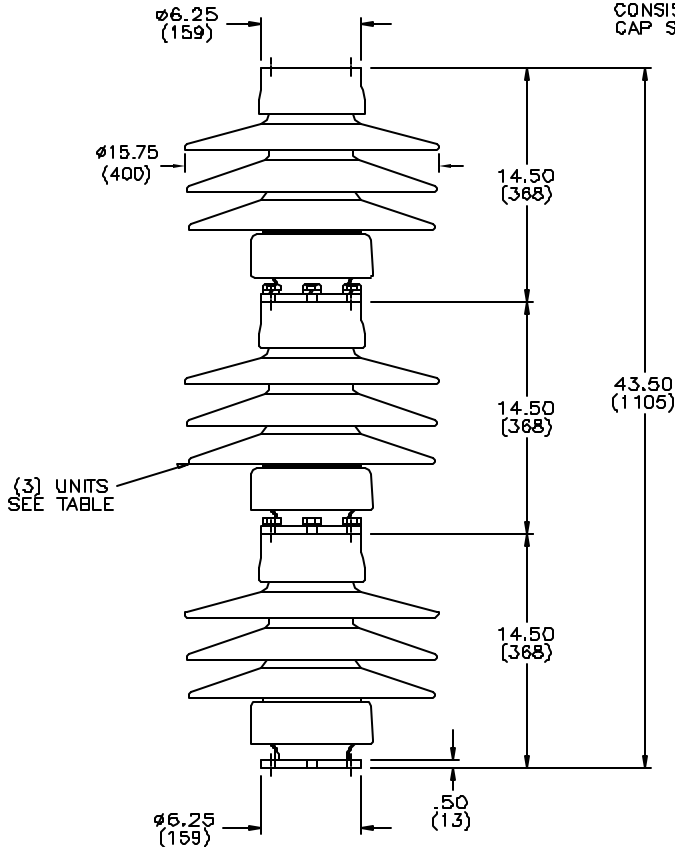
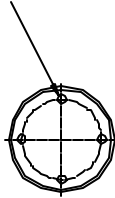
TEST VOLTAGE - RMS TO GROUND, KV 73
 MAXIMUM RIV AT 1000 KHz, MICROVOLTS 200

*WITHSTAND RATINGS ARE PREDICATED ON THE USE OF A SUBBASE 3.50" HIGH OR ITS EQUIVALENT.

NOTES

1. DIMENSIONS ARE IN INCHES (MILLIMETERS).
2. ALL FERROUS PARTS ARE HOT DIP GALVANIZED.
3. SUPPLIED WITH (3) J-97533 CAP SCREW PACKAGES CONSISTING OF: (4) 5/8-11 X 1.25 HEX HEAD CAP SCREWS AND LOCK WASHERS - GALV.STL.

(4) TAPPED HOLES
 5/8-11 +.015 OVERSIZE
 .75 (19) FULL THREAD
 ON 5.00 (127) BOLT CIRCLE



(3) UNITS
 SEE TABLE

(4) SLOTS ϕ .69 (17) ON
 5.00 (127) BOLT CIRCLE



NOTE TO PURCHASER
 ALL SALES OF LAPP PRODUCTS ARE
 SUBJECT TO OUR STANDARD TERMS
 AND CONDITIONS AND THE LIMITED
 WARRANTIES THEREUNDER.