

REVISION	DATE		 No.	SDJ-319139 & -70	
PORCELAIN DIAMETER WAS 17.00"	01-26-00 JRC			TITLE PEDESTAL POST	
INSULATOR COMPANY LEROY, N.Y. 14486		UNITS	in. (mm)	ORG. DATE	5-10-95
REF. LAPP (STACKING) CAP & PIN REPLACEMENT FOR TR 139		DWN.	J. Gorman	APP.	Powell

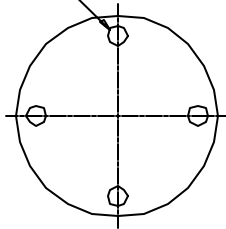
ELECTRICAL PATH DISTANCE
LEAKAGE DISTANCE, in. (mm) 33 (838)

MECHANICAL VALUES
CANTILEVER STRENGTH, lbs. (kN)
 UPRIGHT 10000 (44.4)
 INVERTED 8000 (26.6)
 TENSION STRENGTH, lbs. (kN) 25000 (111.2)
 TORSION STRENGTH, in.-lbs. (kNm) 90000 (10.1)
 COMPRESSION STRENGTH, lbs. (kN) 75000 (333.6)

ELECTRICAL VALUES
CRITICAL IMPULSE FLASHOVER, POS., kV. 235
 LOW FREQUENCY WET WITHSTAND, kV. 75
 IMPULSE WITHSTAND, kV. 210

RADIO INFLUENCE VOLTAGE
TEST VOLTAGE, rms TO GROUND, kV 22
 MAXIMUM RIV AT 1000 kHz, mV 100

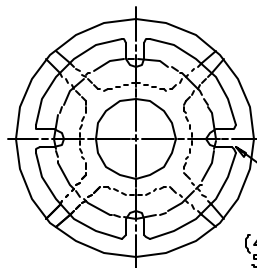
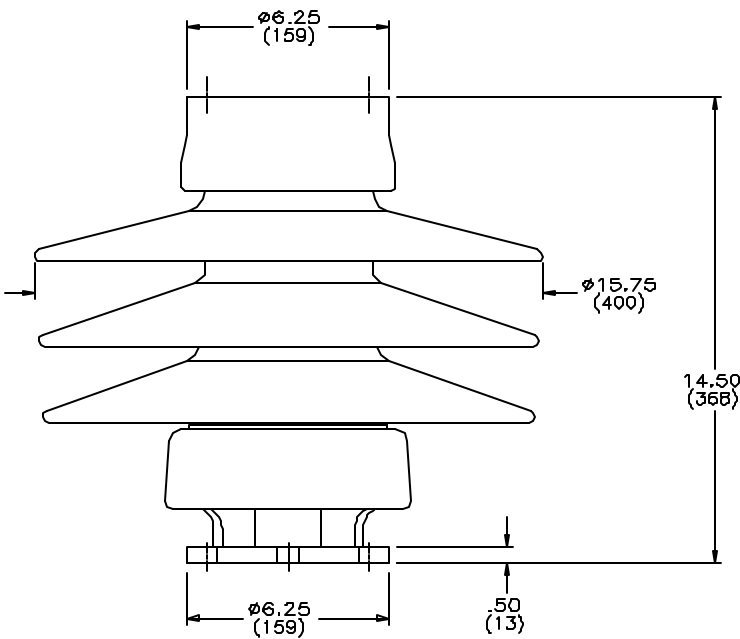
(4) TAPPED HOLES
5/8-11 +.015 OVERSIZE
.75 (19) FULL THREAD
ON 5.0 (127) BOLT CIRCLE



NOTES

1. DIMENSIONS ARE IN INCHES (MILLIMETERS).
2. ALL FERROUS PARTS ARE HOT DIP GALVANIZED.
3. PART NUMBER OF UNIT STAMPED ON TOP HARDWARE.
4. SUPPLIED WITH (1) J97533 CAP SCREW PACKAGE CONSISTING OF (4) 5/8-11 X 1.25 (32) HEX HEAD CAP SCREWS AND LOCK WASHERS (GALV.STL)

ASSEMBLY NO.	GLAZE COLOR
J-319139	CHOCOLATE
J-319139-70	LIGHT GRAY No.70



(4) ϕ .69 (17) SLOTS ON
5.0 (127) BOLT CIRCLE

NOTE TO PURCHASER
ALL SALES OF LAPP PRODUCTS ARE
SUBJECT TO OUR STANDARD TERMS
AND CONDITIONS AND THE LIMITED
WARRANTIES THEREUNDER.