

REVISION	DATE		 No.	SDJ-319140 & -70	
PORCELAIN DIAMETER WAS 17.00"	10-5-99 JRC			TITLE PEDESTAL POST	
UNITS in. (mm)		ORG. DATE 5-10-95	DWN. <i>J. Gorman</i>	APP. <i>Powell</i>	
REF. LAPP (STACKING) CAP & PIN REPLACEMENT FOR TR 140					

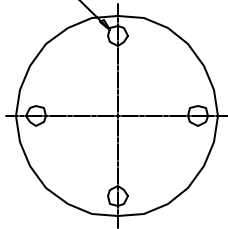
ELECTRICAL PATH DISTANCE
 LEAKAGE DISTANCE, in. (mm) 33 (838)

MECHANICAL VALUES
 CANTILEVER STRENGTH, lbs. (kN)
 UPRIGHT 7000 (31.1)
 INVERTED 4000 (17.8)
 TENSION STRENGTH, lbs. (kN) 20000 (88.9)
 TORSION STRENGTH, in.-lbs. (kNm) 40000 (4.5)
 COMPRESSION STRENGTH, lbs. (kN) 60000 (266.9)

ELECTRICAL VALUES
 CRITICAL IMPULSE FLASHOVER, POS., kV. 235
 LOW FREQUENCY WET WITHSTAND, kV. 75
 IMPULSE WITHSTAND, kV. 210

RADIO INFLUENCE VOLTAGE
 TEST VOLTAGE, rms TO GROUND, kV 22
 MAXIMUM RIV AT 1000 kHz, mV 100

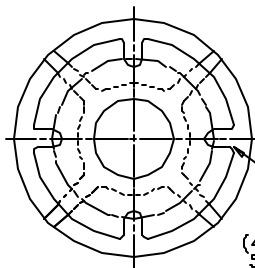
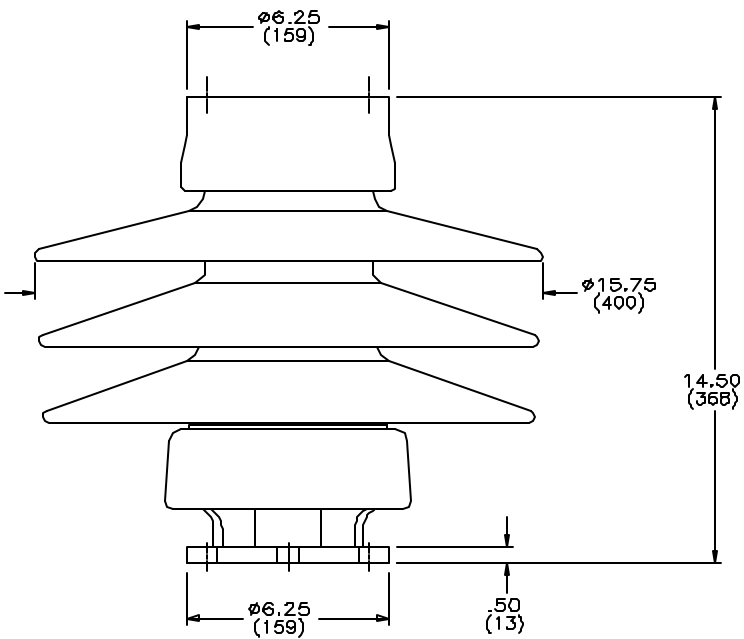
(4) TAPPED HOLES
 5/8-11 +.015 OVERSIZE
 .75 (19) FULL THREAD
 ON 5.0 (127) BOLT CIRCLE



NOTES

1. DIMENSIONS ARE IN INCHES (MILLIMETERS).
2. ALL FERROUS PARTS ARE HOT DIP GALVANIZED.
3. PART NUMBER OF UNIT STAMPED ON TOP HARDWARE.
4. SUPPLIED WITH (1) J97533 CAP SCREW PACKAGE CONSISTING OF (4) 5/8-11 X 1.25 (32) HEX HEAD CAP SCREWS AND LOCK WASHERS (GALV.STL)

ASSEMBLY NO.	GLAZE COLOR
J-319140	CHOCOLATE
J-319140-70	LIGHT GRAY No.70



(4) ϕ .69 (17) SLOTS ON
 5.0 (127) BOLT CIRCLE

NOTE TO PURCHASER
 ALL SALES OF LAPP PRODUCTS ARE
 SUBJECT TO OUR STANDARD TERMS
 AND CONDITIONS AND THE LIMITED
 WARRANTIES THEREUNDER.