
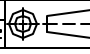
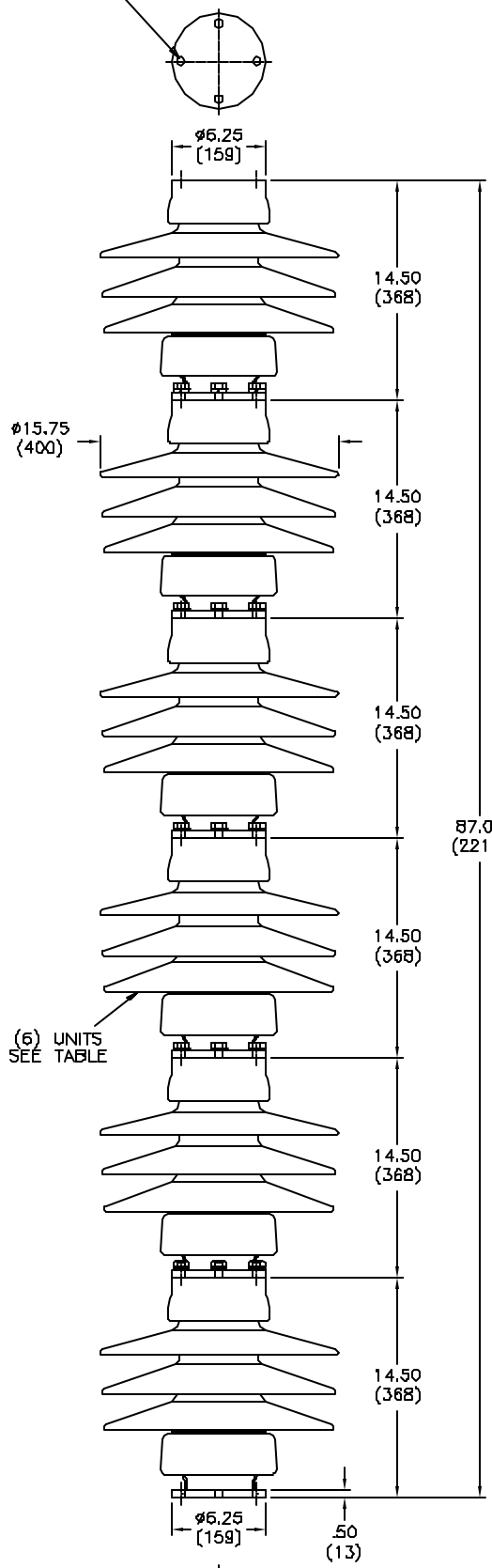


REVISION	DATE	 LAPP INSULATOR Co. LEBROY, N.Y. 14482	 No. SDJ-319176 & -70
UNITS WERE J314591 & -70	5-11-95		
INSULATOR O.D. WAS 17.00" (432mm)	10-8-00 KC	DATE 10-6-94	SCALE 1/8
		DWN. <i>D. Connolly</i>	CHK.
		APP.	BK.No. 84T1
REF. LAPP (STACKING) CAP & PIN REPLACEMENT FOR TR 176			DWG # 6123

(4) TAPPED HOLES
 5/8-11 +.015 OVERSIZE
 .75 (19) FULL THREAD
 ON 5.00 (127) BOLT CIRCLE

CATALOG NO.	UNITS	GLAZE COLOR
J-319176	J-319139	CHOCOLATE
J-319176-70	J-319139-70	LIGHT GRAY No.70



DIMENSIONS

LEAKAGE DISTANCE, in. (mm) 198 (5029)

MECHANICAL VALUES

CANTILEVER STRENGTH:

UPRIGHT, lbs. (kN) 1170 (5.2)
 UNDERHUNG, lbs. (kN) 1100 (4.8)
 TENSION STRENGTH, lbs. (kN) 25000 (111.2)
 TORSION STRENGTH, in.-lbs. (k-Nm) 90000 (10.16)
 COMPRESSION STRENGTH, lbs. (kN) 75000 (333.6)

ELECTRICAL VALUES

CRITICAL IMPULSE FLASHOVER, POS. KV. 1210
 LOW FREQUENCY WET WITHSTAND, KV 455*
 IMPULSE WITHSTAND, KV. 1050*

RADIO INFLUENCE VOLTAGE

TEST VOLTAGE - RMS TO GROUND, KV 146
 MAXIMUM RIV AT 1000 KHz, MICROVOLTS 500

*WITHSTAND RATINGS ARE PREDICATED ON THE USE OF A SUBBASE 3.50" HIGH OR ITS EQUIVALENT.

NOTES

1. DIMENSIONS ARE IN INCHES (MILLIMETERS).
2. ALL FERROUS PARTS ARE HOT DIP GALVANIZED.
3. SUPPLIED WITH (6) J-97533 CAP SCREW PACKAGES CONSISTING OF: (4) 5/8-11 X 1.25 HEX HEAD CAP SCREWS AND LOCK WASHERS - GALV.STL.

NOTE TO PURCHASER
 ALL SALES OF LAPP PRODUCTS ARE
 SUBJECT TO OUR STANDARD TERMS
 AND CONDITIONS AND THE LIMITED
 WARRANTIES THEREUNDER.