

RELEASE HISTORY

(a) REDRAWN ON CAD 4-2-07 DJB



in. [mm]

PART NUMBER

075422E SERIES

DRAWING NUMBER

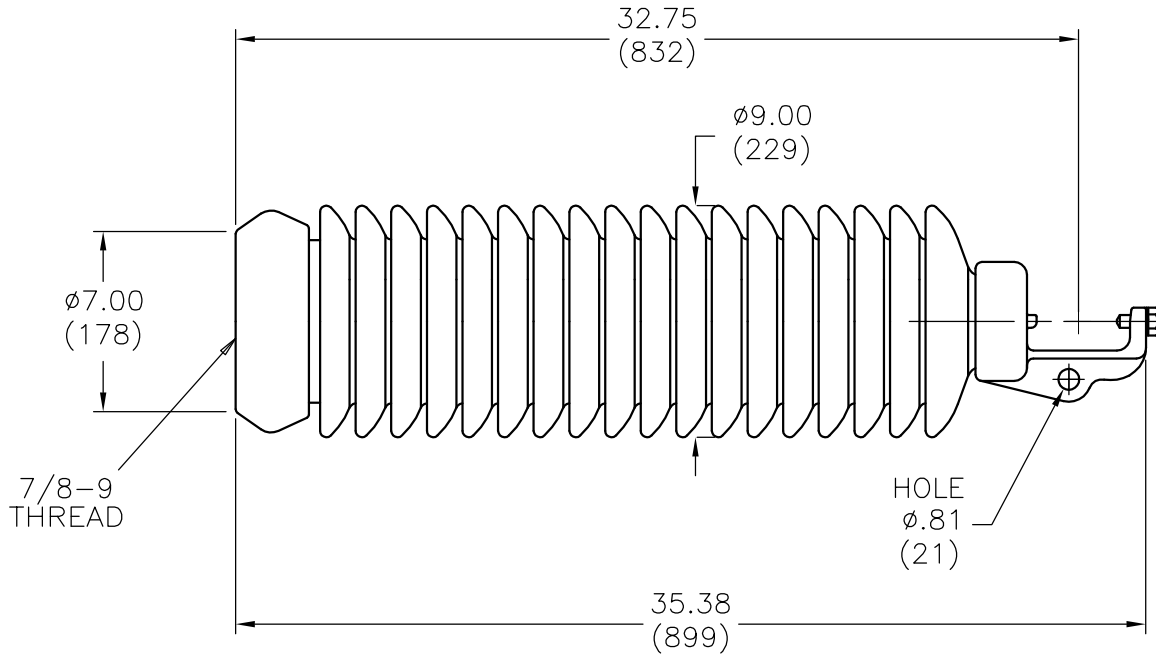
10035

TITLE

HORIZONTAL LINE POST

REF.

ASSEMBLY NO.	GLAZE COLOR
F-075422E	GRAY
F-075422E-70	LIGHT GRAY No.70



DIMENSIONS

LEAKAGE DISTANCE, INCHES (mm)	71 (1800)
DRY ARCING DISTANCE, INCHES (mm)	27 (680)

MECHANICAL VALUES

MAXIMUM, DESIGN CANTILEVER LOAD, lbs. (kN)	2800 (12.5)
MAXIMUM DESIGN TENSION STRENGTH, lbs. (kN)	5000 (22.2)

ELECTRICAL VALUES

LOW FREQUENCY DRY FLASHOVER, kV	270
LOW FREQUENCY WET FLASHOVER, kV	230
CRITICAL IMPULSE FLASHOVER, POS., kV	390
CRITICAL IMPULSE FLASHOVER, NEG., kV	570

NOTES

1. DIMENSIONS ARE IN INCHES (MILLIMETERS).
2. ALL FERROUS PARTS ARE HOT DIP GALVANIZED.

NOTE TO PURCHASER
ALL SALES OF LAPP PRODUCTS ARE
SUBJECT TO OUR STANDARD TERMS
AND CONDITIONS AND THE LIMITED
WARRANTIES THEREUNDER.