
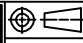


REVISION	DATE			No.	SDJ-315202 & -70
REVISED & REDRAWN	9-24-97 JRC			TITLE	STATION POST ASSEMBLY
UNITS in. (mm)		ORG.DATE 9-27-94	DWN.	J. Corona	APP. Richens
REF. TECHNICAL REFERENCE No. TR-202					

**DIMENSIONS**

LEAKAGE DISTANCE, in. (mm) 10.50 (267)

**MECHANICAL VALUES**

CANTILEVER STRENGTH, lb. (kN) 2000 (8.9)

TENSION STRENGTH, lb. (kN) 7000 (31.1)

TORSION STRENGTH, in-lb. (kNm) 6000 (0.67)

COMPRESSION STRENGTH, lb. (kN) 10000 (44.4)

**ELECTRICAL VALUES**

CRITICAL IMPULSE FLASHOVER, POS., kV. 105

LOW FREQUENCY WET WITHSTAND, kV. 30

IMPULSE WITHSTAND, kV. 95

**RADIO INFLUENCE VOLTAGE**

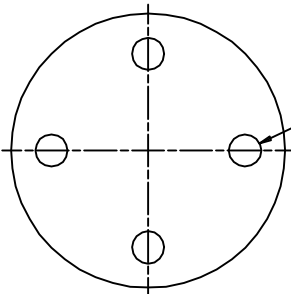
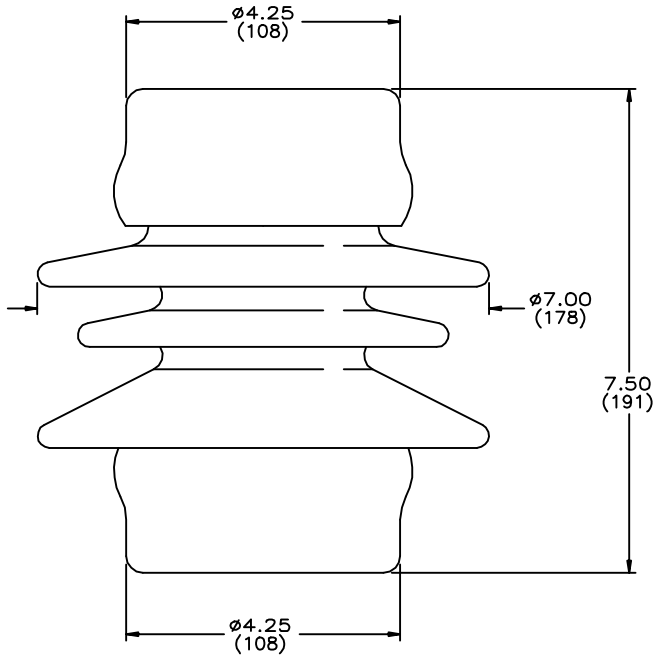
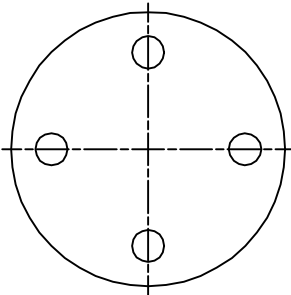
TEST VOLTAGE, RMS TO GROUND, kV. 5

MAXIMUM RIV AT 1000 kHz, MICROVOLTS 50

**NOTES:**

1. DIMENSIONS ARE IN INCHES (MILLIMETERS)
2. ALL FERROUS PARTS ARE HOT DIP GALV. PER ASTM A153

ASSEMBLY	GLAZE COLOR
J-315202	CHOCOLATE
J-315202-70	LIGHT GRAY No.70



4 TAPPED HOLES  
 1/2-13 +.015 OVERSIZE  
 .62 (16) MIN. FULL THREAD  
 ON 3.0 (76) B.C.  
 BOTH ENDS

NOTE TO PURCHASER  
 ALL SALES OF LAPP PRODUCTS ARE  
 SUBJECT TO OUR STANDARD TERMS  
 AND CONDITIONS AND THE LIMITED  
 WARRANTIES THEREUNDER.