

REVISION

DATE

LAPP
INSULATOR COMPANY
LEROY, N.Y. 14482



No.

SDJ-315222 & -70

TITLE

STATION POST ASSEMBLY

UNITS in. (mm)

ORG. DATE 10-21-94

DWN.

J. Berona

APP.

REF. TECHNICAL REFERENCE No. TR-222

DIMENSIONS

LEAKAGE DISTANCE, IN (mm) 10.50 (267)

MECHANICAL VALUES

CANTILEVER STRENGTH, LBS (kN) 4000 (17.7)

TENSION STRENGTH, LBS (kN) 15000 (66.7)

TORSION STRENGTH, IN-LBS (kN-m) 12000 (1.35)

COMPRESSION STRENGTH, LBS (kN) 20000 (88.9)

ELECTRICAL VALUES

CRITICAL IMPULSE FLASHOVER, POS., kV. 105

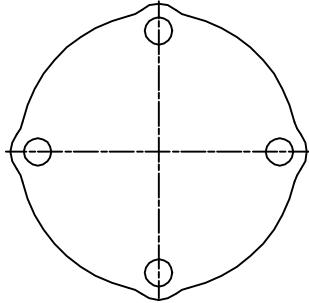
LOW FREQUENCY WET WITHSTAND, kV. 30

IMPULSE WITHSTAND, kV. 95

RADIO INFLUENCE VOLTAGE

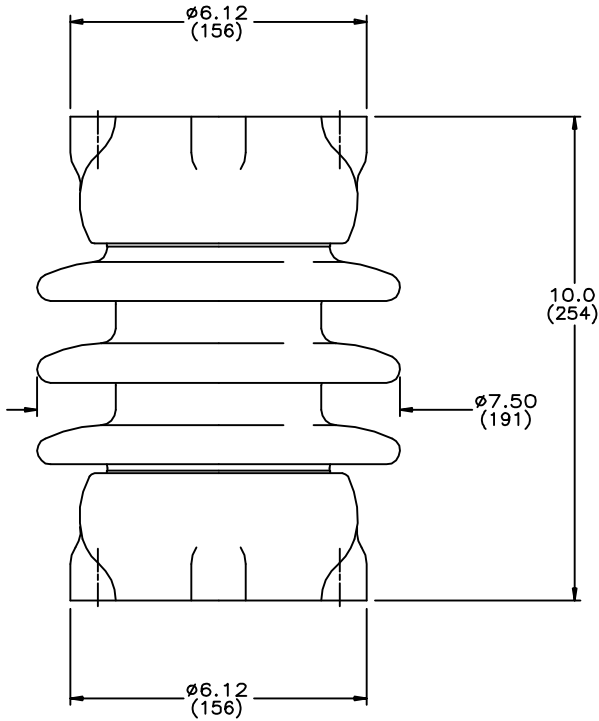
TEST VOLTAGE, RMS TO GROUND, kV. 5

MAXIMUM RIV - MICROVOLTS AT 1000 kHz 50

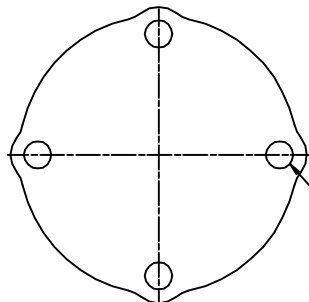


NOTES:

1. DIMENSIONS ARE IN INCHES (MILLIMETERS)
2. ALL FERROUS PARTS ARE HOT DIP GALV. PER ASTM A153
3. UNIT NUMBER IS STAMPED ON TOP HARDWARE



ASSEMBLY NO.	GLAZE COLOR
J-315222	CHOCOLATE
J-315222-70	LIGHT GRAY No.70



(4) TAPPED HOLES
5/8-11 +.015 OVERSIZE
.75 (19) FULL THREAD
ON 5.0 (127) BOLT CIRCLE
BOTH ENDS

NOTE TO PURCHASER
ALL SALES OF LAPP PRODUCTS ARE
SUBJECT TO OUR STANDARD TERMS
AND CONDITIONS AND THE LIMITED
WARRANTIES THEREUNDER.