
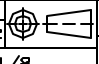


REVISION	DATE	 LAPP INSULATOR Co. LEROY, N.Y. 14482		No. SDJ-3149B2 & -70
UNIT I WAS J312997 & -70 AND UNIT II WAS J314591 & -70	5-11-95	DATE 10-6-94	SCALE 1/8	TITLE TWO UNIT POST
		DWN. <i>D. Connolly</i>	CHK.	APP.
		REF.		BK.No. 84T1

CATALOG NO.	UNIT I	UNIT II	GLAZE COLOR
J-3149B2	J-312997	J-314591	CHOCOLATE
J-3149B2-70	J-312997-70	J-314591-70	LIGHT GRAY No.70

DIMENSIONS

LEAKAGE DISTANCE, in. (mm) 66 (1676)

MECHANICAL VALUES

CANTILEVER STRENGTH:

UPRIGHT, lbs. (kN) 4500 (20.0)
 UNDERHUNG, lbs. (kN) 3500 (15.5)
 TENSION STRENGTH, lbs. (kN) 20000 (88.9)
 TORSION STRENGTH, in.-lbs. (k-Nm) 40000 (4.51)
 COMPRESSION STRENGTH, lbs. (kN) 60000 (266.9)

ELECTRICAL VALUES

CRITICAL IMPULSE FLASHOVER, KV. 410
 LOW FREQUENCY WET WITHSTAND, KV 160*
 IMPULSE WITHSTAND, KV. 350*

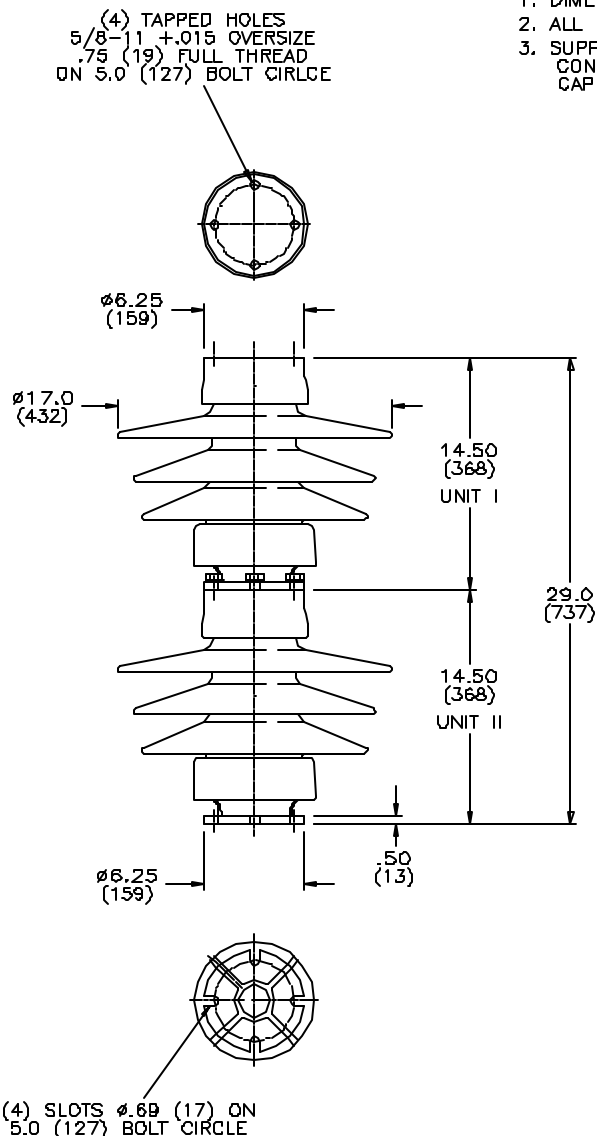
RADIO INFLUENCE VOLTAGE

TEST VOLTAGE - RMS TO GROUND, KV 44
 MAXIMUM RM AT 1000 KHz, MICROVOLTS 200

*WITHSTAND RATINGS ARE PREDICATED ON THE USE OF A SUBBASE 3.50" HIGH OR ITS EQUIVALENT.

NOTES

1. DIMENSIONS ARE IN INCHES (MILLIMETERS).
2. ALL FERROUS PARTS ARE HOT DIP GALVANIZED.
3. SUPPLIED WITH (2) J-97533 CAP SCREW PACKAGES CONSISTING OF: (4) 5/8-11 X 1.25 HEX HEAD CAP SCREWS AND LOCK WASHERS - GALV.STL



NOTE TO PURCHASER
 ALL SALES OF LAPP PRODUCTS ARE
 SUBJECT TO OUR STANDARD TERMS
 AND CONDITIONS AND THE LIMITED
 WARRANTIES THEREUNDER.