

59	REVISION	DATE	No.	SDJ-34534 & -70
	REDRAWN - FIXED ERROR IN GLAZE TABLE	3-28-98 JRC		
TITLE		STATION POST ASSEMBLY		
LAPP INSULATOR COMPANY LABOR, N.Y. 14468		ORG. DATE	DWN.	APP.
UNITS in. (mm)		8-12-46	J. Corona	P. Adams
REF.				

ASSEMBLY No.	GLAZE COLOR
J-34534	CHOCOLATE
J-34534-70	LIGHT GRAY No.70

DIMENSIONS IN INCHES (MILLIMETERS)
ALL FERROUS PARTS ARE HOT DIP GALV.

DIMENSIONS

LEAKAGE DISTANCE, IN. (mm) 10.5 (267)

MECHANICAL VALUES

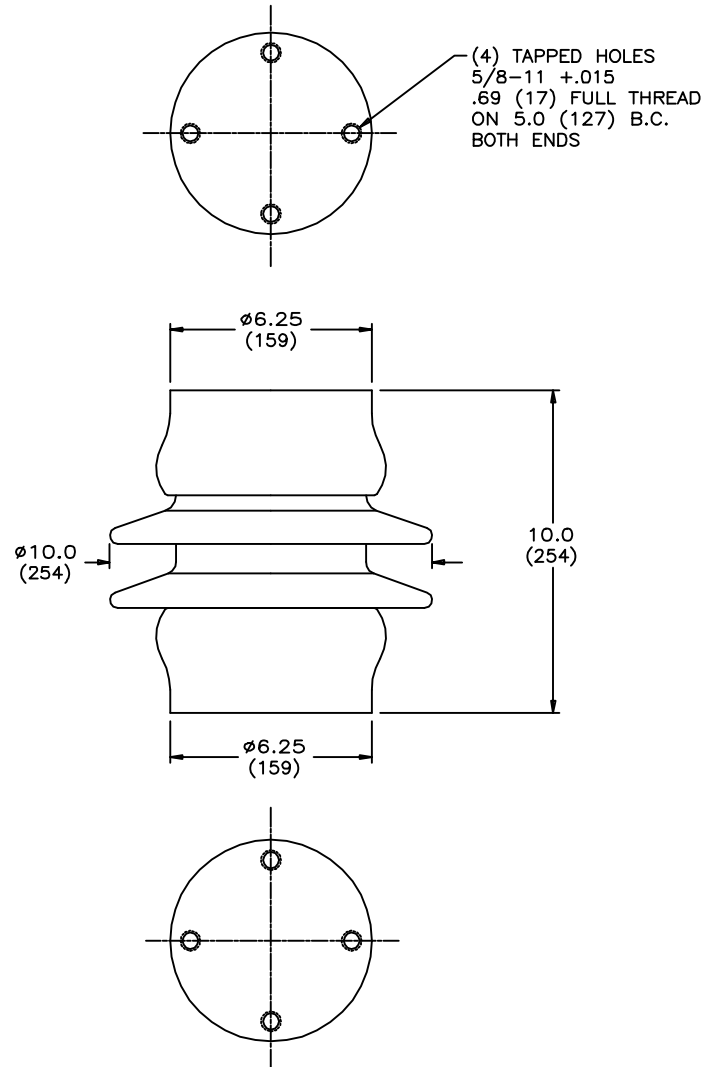
CANTILEVER STRENGTH, LBS. (kN) 8000 (35.6)
TENSION STRENGTH, LBS. (kN) 28000 (124.5)
TORSION STRENGTH, IN.-LBS. (kNm) 40000 (4.5)
COMPRESSION STRENGTH, LBS. (kN) 40000 (177.9)

ELECTRICAL VALUES

VOLTAGE RATING, kV. 7.5
CRITICAL IMPULSE FLASHOVER, POS. kV. 105
LOW FREQUENCY WET WITHSTAND, kV. 30
IMPULSE WITHSTAND, kV. 95

RADIO INFLUENCE VOLTAGE

TEST VOLTAGE, RMS TO GROUND, kV. 5
MAXIMUM RIV AT 1000 KHZ, MICROVOLTS 50



NOTE TO PURCHASER
ALL SALES OF LAPP PRODUCTS ARE
SUBJECT TO OUR STANDARD TERMS
AND CONDITIONS AND THE LIMITED
WARRANTIES THEREUNDER.